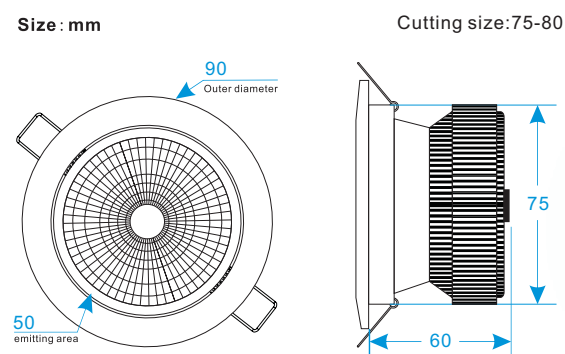


6W COB LED DOWNLIGHT 180°rotatable



D0675

NETWEIGHT 0.26KG	CUTTINGSIZE 75-80MM	PACKING 1 PC 9.5X9.5X11CM	PACKING 36PC 40X30.5X35CM
----------------------------	-------------------------------	--	--

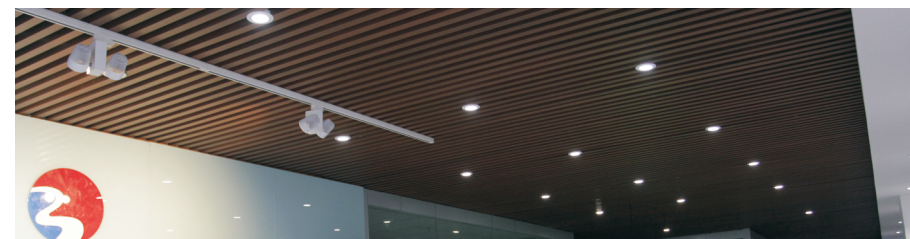


Features:

High color rendering, uniform luminance, no light spot, no dark space. It was different from the lighting effects of general LED DOWNLIGHT in the market, substitute to the traditional lamp completely, and no maladjustment.

Application:

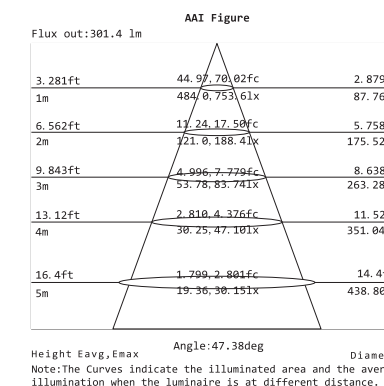
Products are widely used as indoor main illumination lighting in the office, commercial center, shopping mall, supermarket, factory, etc.



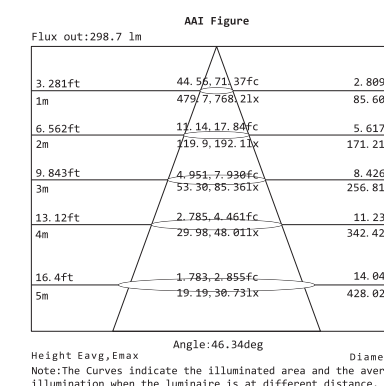
Lamp Parameters :	Standard	Super-bright
Input Voltage	AC100V-277V or AC200V-240V	
Frequency Range	50Hz~60Hz	
Led Consumption	6W	
System Consumption	7.5W	
Led Initial Flux	540LM-580LM	570LM-630LM
Color Rendering Index	>80	
Working Temperature	-40°C ~ +55°C	
Fireproof Class	V0	
Power cable	2x0.75mm ²	
Color of housing	black, white, silver	
Certificate	CE ROHS ERP V0 FCC	
Optical data:	IES	

Driver Parameters :	
Brand	Lifud
Input	AC100-277V or AC200V-240V
Output	DC18-30V 350mA
Power Factor	0.9-0.97
Power Efficiency	80%
Certificate	CE TUV CQC
Dimmable	Triac / dali / 1-10V / WIFI
MEANWELL: APC-12-350 is optional	

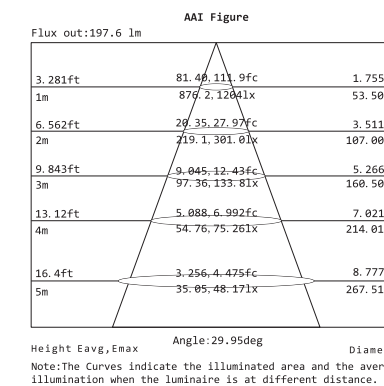
Model No.	Beam angle	CRI	CCT	Illumination	Illumination (S)	Input Voltage(V)
D0675	30°/50°	>80	3000K	540LM	570LM	AC100V-277V AC200V-240V
			4000K	560LM	600LM	
			6000K	580LM	630LM	



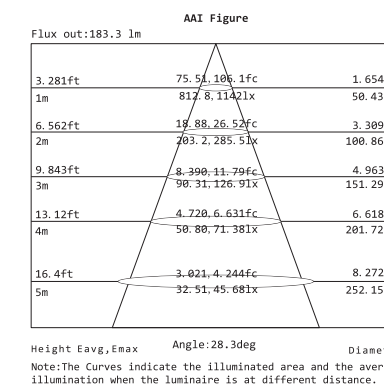
Graphical Representation for
D0675 WW 50° (S)



Graphical Representation for
D0675 NW 50°



Graphical Representation for
D0675 NW 30° (S)



Graphical Representation for
D0675 WW 30°