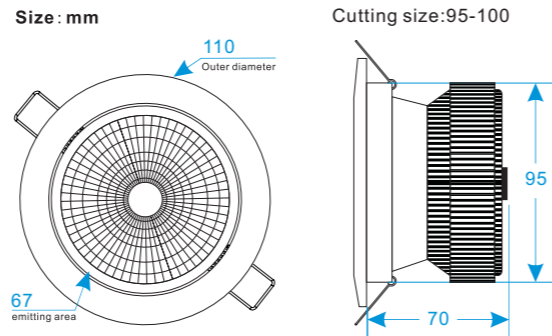


10W COB LED DOWNLIGHT 180°rotatable



D1095

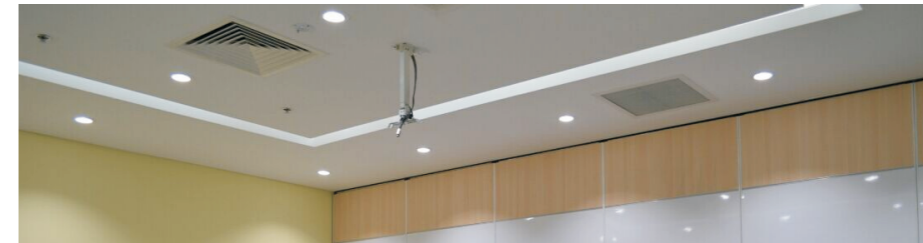


NETWEIGHT 0.45KG	CUTTINGSIZE 95-100MM	PACKING 1 PC 11.4X11.4X13CM	PACKING 24 PC 47.5X36X28CM
----------------------------	--------------------------------	--	---



Features:
High color rendering, uniform luminance, no light spot, no dark space. It was different from the lighting effects of general LED DOWNLIGHT in the market, substitute to the traditional lamp completely, and no maladjustment.

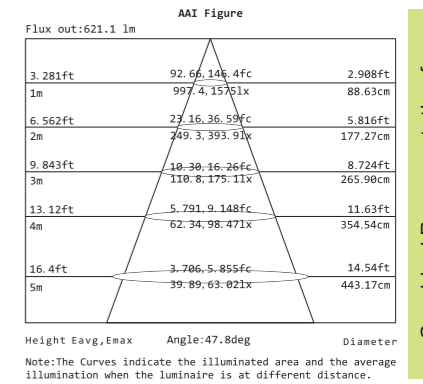
Application:
Products are widely used as indoor main illumination lighting in the office, commercial center, shopping mall, supermarket, factory, etc.



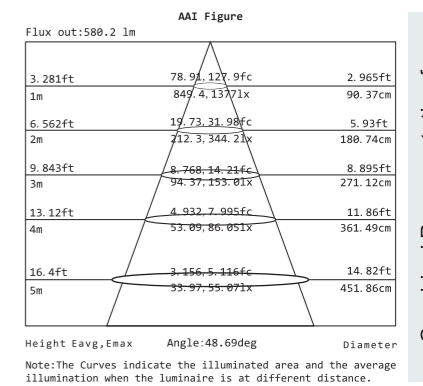
Lamp Parameters :	Standard	Super-bright
Input Voltage	AC100V-277V or AC200V-240V	
Frequency Range	50Hz~60Hz	
Led Consumption	10W	
System Consumption	11.5W	
Led Initial Flux	900-1100LM	1150LM-1350LM
Color Rendering Index	>80	
Working Temperature	-40℃ ~ +55℃	
Fireproof Class	V0	
Power cable	2x0.75mm ²	
Color of housing	black, white, silver	
Certificate	CE ROHS ERP V0 FCC	
Optical data:	IES	

Driver Parameters :	
Brand	Lifud
Input	AC100-277V or AC200V-240V
Output	27-42VDC, 350mA
Power Factor	0.9-0.97
Power Efficiency	87%
Certificate	UL, FCC, CE, SAA, PSE, CQC, TUV UL Certificate Number: E338140 SAA Certificate Number: TUV16071EA
Dimmable	Triac / dali / 1-10V / WIFI
MEANWELL: PLD-16-350 is optional	

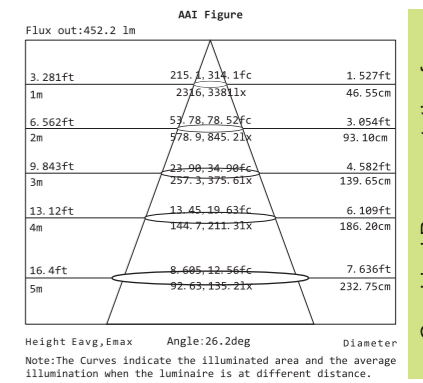
Model No.	Beam angle	CRI	CCT	Illumination	Illumination (S)	Input Voltage(V)
D1095	30°/50°	>80	3000K	900LM	1150LM	AC100V-277V AC200V-240V
			4000K	950LM	1250LM	
			6000K	1100LM	1350LM	



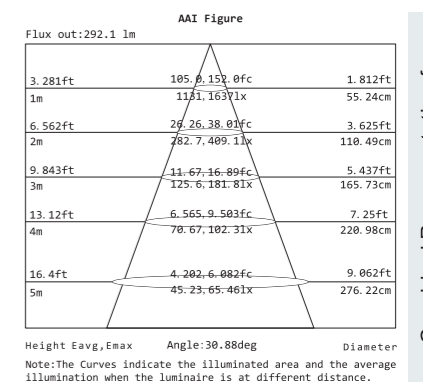
Graphical Representation for
D1095 WW 50° (S)



Graphical Representation for
D1095 NW 50°



Graphical Representation for
D1095 NW 30° (S)



Graphical Representation for
D1095 WW 30°