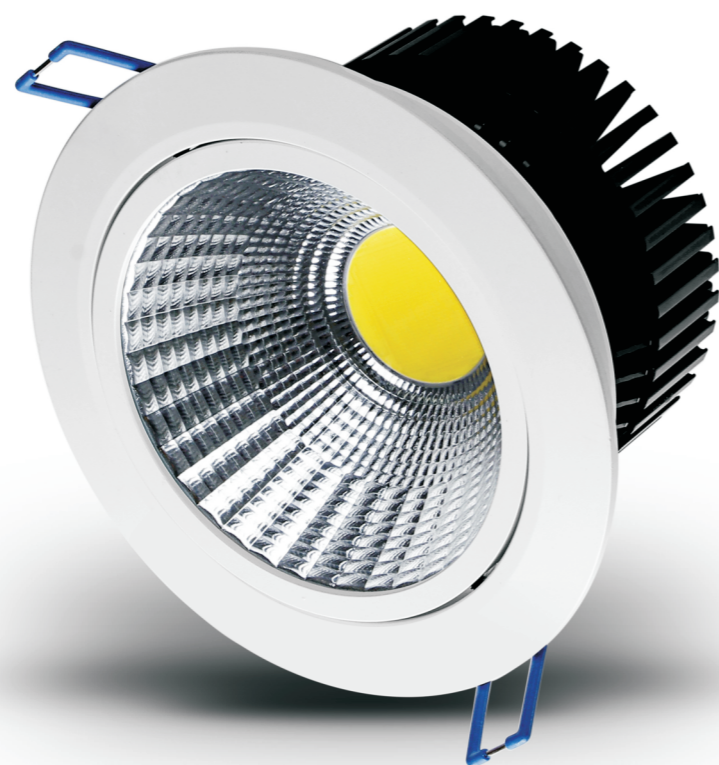
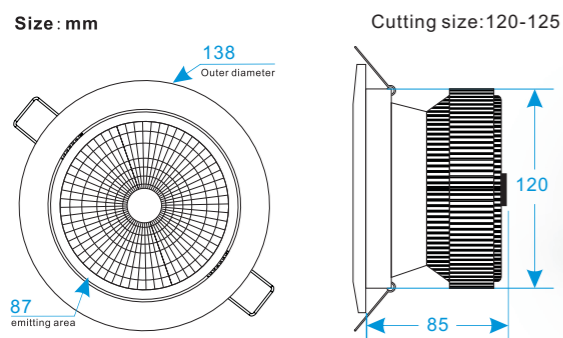


20W COB LED DOWNLIGHT

180° rotatable



D20120



Features:
High color rendering, uniform luminance, no light spot, no dark space. It was different from the lighting effects of general LED DOWNLIGHT in the market, substitute to the traditional lamp completely, and no maladjustment.

Application:
Products are widely used as indoor main illumination lighting in the office, commercial center, shopping mall, supermarket, factory, etc.

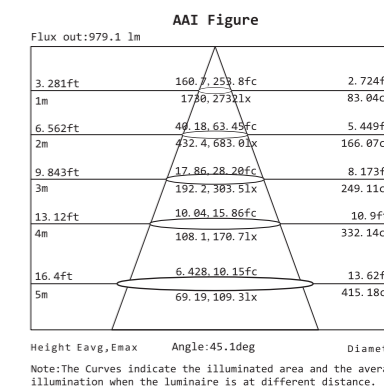
NETWEIGHT 1KG	CUTTINGSIZE 120-125MM	PACKING 1 PC 14.5X14.5X12CM	PACKING 12 PC 45X30.5X26CM
-------------------------	---------------------------------	--	---



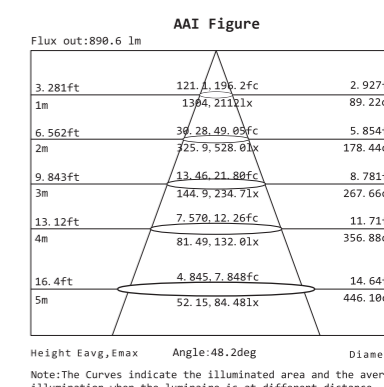
Lamp Parameters :	Standard	Super-bright
Input Voltage	AC100V-277V or AC200V-240V	
Frequency Range	50Hz~60Hz	
Led Consumption	20W	
System Consumption	23W	
Led Initial Flux	1650-1900LM	2200-2600LM
Color Rendering Index	>80	
Working Temperature	-40°C ~ +55°C	
Fireproof Class	V0	
Power cable	2x0.75mm ²	
Color of housing	black, white, silver	
Certificate	CE ROHS ERP V0 FCC	
Optical data:	IES	

Driver Parameters :	
Brand	Lifud
Input	AC100-277V or AC200V-240V
Output	DC27-42V 500mA
Power Factor	0.9-0.97
Power Efficiency	87%
Certificate	UL, FCC, CE, SAA, PSE, CQC, TUV UL Certificate Number: E338140 SAA Certificate Number: TUV16071EA
Dimmable	Triac / dali / 1-10V / WIFI
MWANWELL: APC-25-500 is optional	

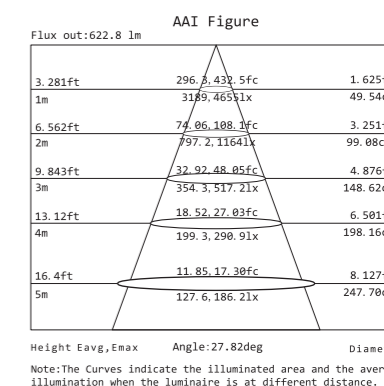
Model No.	Beam angle	CRI	CCT	Illumination	Illumination (S)	Input Voltage(V)
D20120	30°/50°	>80	3000K	1650LM	2200LM	AC100V-277V AC200V-240V
			4000K	1850LM	2400LM	
			6000K	1900LM	2600LM	



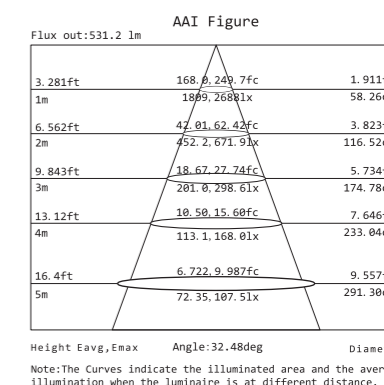
Graphical Representation for D20120 WW 50° (S)



Graphical Representation for D20120 NW 50°



Graphical Representation for D20120 NW 30° (S)



Graphical Representation for D20120 WW 30°