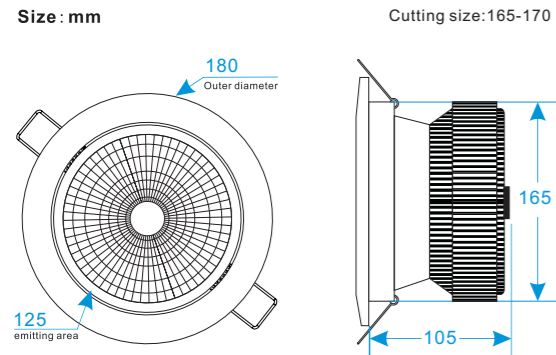


40W COB LED DOWNLIGHT 180°rotatable



D40165

NETWEIGHT 1.7KG	CUTTINGSIZE 165-170MM	PACKING 1 PC 20.5X20.5X14.5CM	PACKING 8 PC 42.5X42.5X31CM
---------------------------	---------------------------------	--	--



Features:

High color rendering, uniform luminance, no light spot, no dark space. It was different from the lighting effects of general LED DOWNLIGHT in the market, substitute to the traditional lamp completely, and no maladjustment.

Application:

Products are widely used as indoor main illumination lighting in the office, commercial center, shopping mall, supermarket, factory, etc.



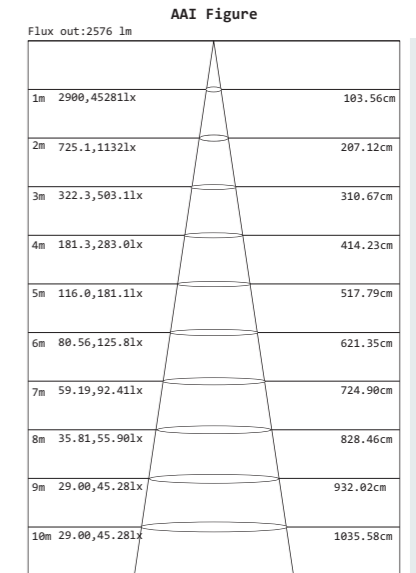
Lamp Parameters :

	Standard	Super-bright
Input Voltage	AC100V-277V or AC200V-240V	
Frequency Range	50Hz~60Hz	
Led Consumption	40W	
System Consumption	45W	
Led Initial Flux	3400-3800LM	4100-4800LM
Color Rendering Index	>80	
Working Temperature	-40°C ~ +55°C	
Fireproof Class	V0	
Power cable	2x0.75mm ²	
Color of housing	black, white, silver	
Certificate	CE ROHS ERP V0 FCC	
Optical data:	IES	

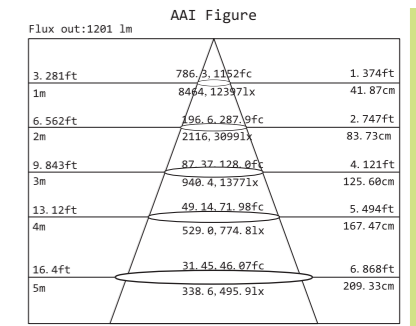
Driver Parameters :

Brand	Lifud
Input	AC100-277V or AC200V-240V
Output	DC27-42V 1000mA
Power Factor	0.9-0.96
Power Efficiency	87%
Certificate	UL, FCC, CE, SAA, PSE, CQC, TUV UL Certificate Number: E338140 SAA Certificate Number: TUV16071EA
Dimmable	Triac / dali / 1-10V / WIFI
MWANWELL: PLD-40-1050 is optional	

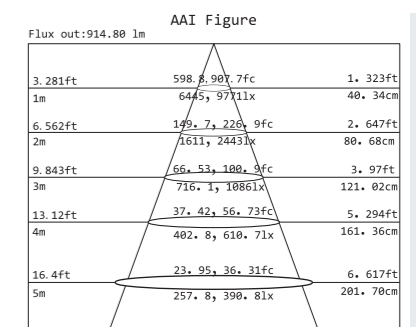
Model No.	Beam angle	CRI	CCT	Illumination	Illumination (S)	Input Voltage(V)
D40165	25°/55°	>80	3000K	3400LM	4100LM	AC100V-277V AC200V-240V
			4000K	3600LM	4500LM	
			6000K	3800LM	4800LM	



Graphical Representation for
D40165WW 55°



Graphical Representation for
D40165 NW 25° (S)



Graphical Representation for
D40165 WW 25°