

2x20W COB LED TRACK LIGHT

360° rotatable



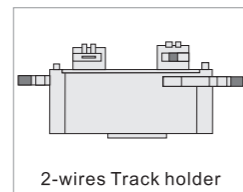
Features:

High color rendering, uniform luminance, no light spot, no dark space. It was different from the lighting effects of general LED DOWNLIGHT in the market, substitute to the traditional lamp completely, and no maladjustment.

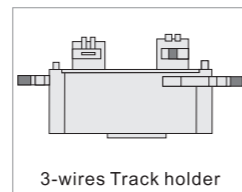
Application:

Products are widely used as indoor main illumination lighting in the office, commercial center, shopping mall, supermarket, factory, etc.

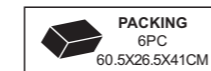
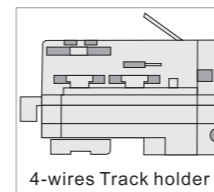
T2021D



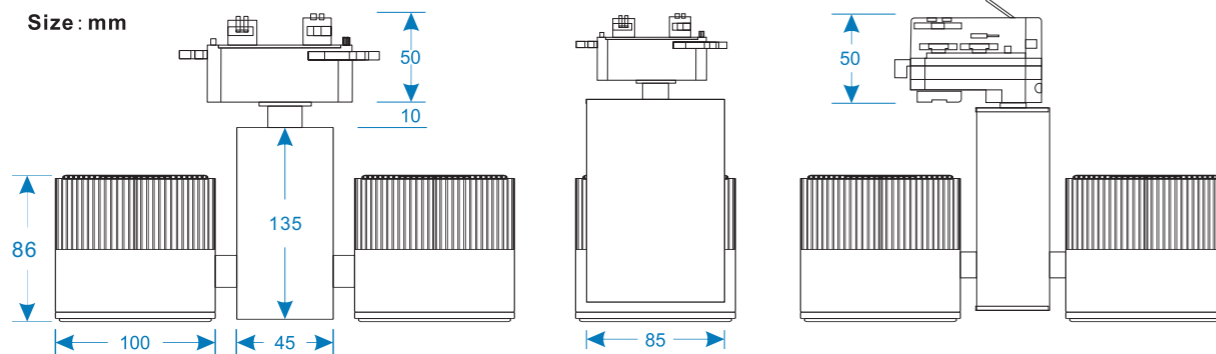
T2031D



T2043D



Size: mm



Lamp Parameters :

	Standard	Super-bright
Input Voltage	AC100-277V or AC200-240V	
Frequency Range	50Hz~60Hz	
Led Consumption	40W	
System Consumption	46W	
Led Initial Flux	3300-3800LM	4400-5200LM
Color Rendering Index	>80	
Working Temperature	-40°C ~ +55°C	
Fireproof Class	V0	
Track light holder	2-wires, 3-wires, 4-wires.	
Color of housing	black,white,silver	
Certificate	CE ROHS ERP V0 FCC	
Optical data:	IES	

Driver Parameters :

Brand	Lifud
Input	AC100-277V or AC200-240V
Output	DC27-42V,500mA
Power Factor	0.9-0.97
Power Efficiency	87%
Certificate	UL,FCC,CE,SAA,PSE,CQC,TUV UL Certificate Number:E338140 SAA Certificate Number:TUV16071EA
Dimmable	Triac / dali

MEANWELL:APC-25-500 is optional

Model No.	Beam angle	CRI	CCT	Illumination	Illumination (S)	Input Voltage(V)
T2021D	30°/50°	>80	3000K	3300LM	4400LM	AC100-277V AC200-240V
T2031D			4000K	3700LM	4800LM	
T2043D			6000K	3800LM	5200LM	

