

# 2x40W COB LED TRACK LIGHT

360° rotatable



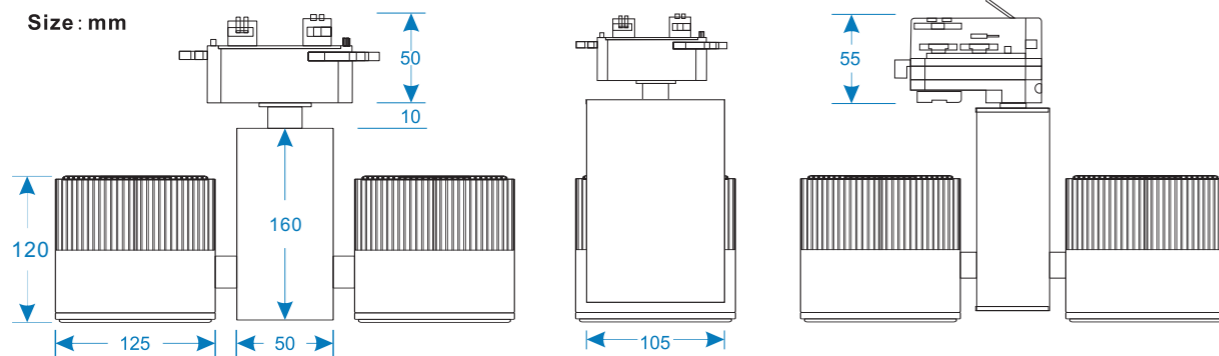
### Features:

High color rendering, uniform luminance, no light spot, no dark space. It is different from the lighting effects of general LED DOWNLIGHT in the market, substitute to the traditional lamp completely, and no maladjustment.

### Application:

Products are widely used as indoor main illumination lighting in the office, commercial center, shopping mall, supermarket, factory, etc.

T4021D	T4031D	T4043D
2-wires Track holder	3-wires Track holder	4-wires Track holder
NETWEIGHT 3KG	PACKING 1PC 23.5X16X28CM	PACKING 6PC 72.5X29.5X50CM



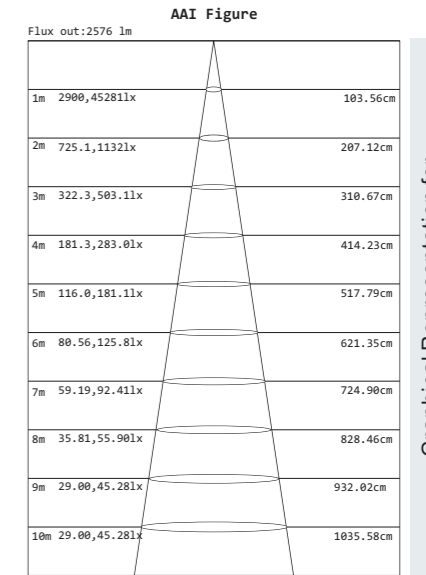
### Lamp Parameters :

	Standard	Super-bright
Input Voltage	AC100-277V or AC200-240V	
Frequency Range	50Hz~60Hz	
Led Consumption	80W	
System Consumption	90W	
Led Initial Flux	6800-7600LM	8200-9600LM
Color Rendering Index	>80	
Working Temperature	-40°C ~ +55°C	
Fireproof Class	V0	
Track light holder	2-wires, 3-wires, 4-wires,	
Color of housing	black, white, silver	
Certificate	CE ROHS ERP V0 FCC	
Optical data:	IES	

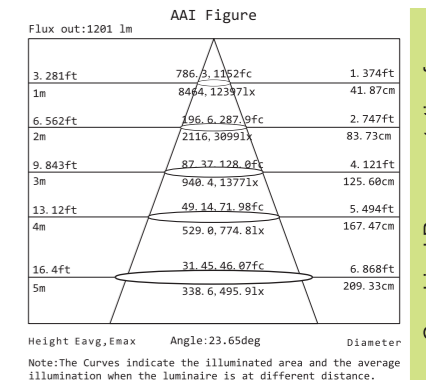
### Driver Parameters :

Brand	Lifud
Input	AC100-277V or AC200-240V
Output	27-42VDC, 1000mA
Power Factor	0.9-0.96
Power Efficiency	87%
Certificate	UL, FCC, CE, SAA, PSE, CQC, TUV UL Certificate Number: E338140 SAA Certificate Number: TUV16071EA
Dimmable	Triac / dali

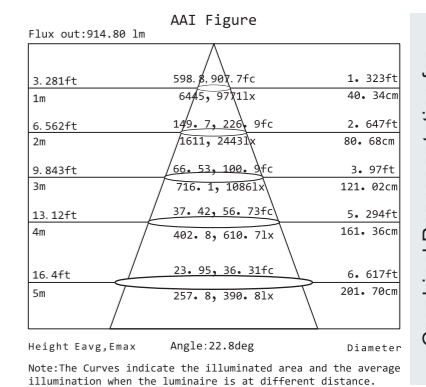
Model No.	Beam angle	CRI	CCT	Illumination	Illumination (S)	Input Voltage(V)
T4021D T4031D T4043D	25°/55°	>80	3000K	6800LM	8200LM	AC100-277V AC200-240V
			4000K	7200LM	9000LM	
			6000K	7600LM	9600LM	



Graphical Representation for D40165WW 55°



Graphical Representation for D40165 NW 25° (S)



Graphical Representation for D40165 WW 25°