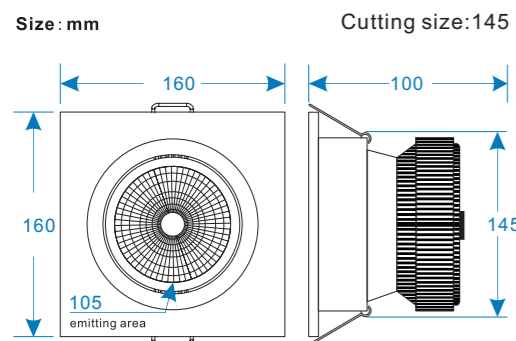


RECTANGULAR
1X30W COB
LED CEILING LIGHT
 180°rotatable



C301451



NETWEIGHT 1.6KG	CUTTINGSIZE 145-150MM	PACKING 1PC 18.5X18.5X14CM	PACKING 12PC 57.5X38.5X30CM
---------------------------	---------------------------------	---	--

Features:

High color rendering, uniform luminance, no light spot, no dark space. It was different from the lighting effects of general LED DOWNLIGHT in the market, substitute to the traditional lamp completely, and no maladjustment

Application:

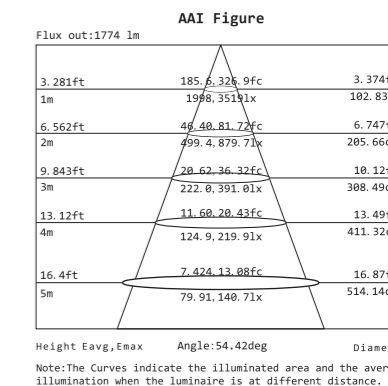
Products are widely used as indoor main illumination lighting in the office, commercial center, shopping mall, supermarket, factory, etc.



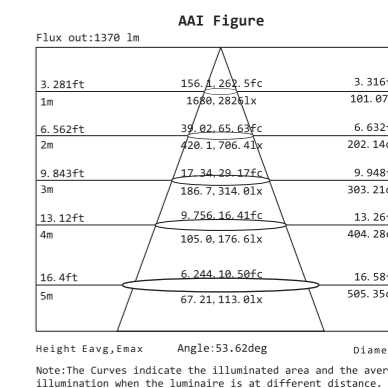
Lamp Parameters :	Standard	Super-bright
Input Voltage	AC100-277V or AC200V-240V	
Frequency Range	50Hz~60Hz	
Led Consumption	30W	
System Consumption	34.5W	
Led Initial Flux	2550-2750LM	3300-3700LM
Color Rendering Index	>80	
Working Temperature	-40°C ~ +55°C	
Fireproof Class	V0	
Power cable	2x0.75mm2	
Color of housing	black, white, silver	
Certificate	CE ROHS ERP V0 FCC	
Optical data:	IES	

Driver Parameters :	
Brand	Lifud
Input	AC100-277V or AC200V-240V
Output	DC27-42V 700mA
Power Factor	0.9-0.96
Power Efficiency	87%
Certificate	UL, FCC, CE, SAA, PSE, CQC, TUV UL Certificate Number: E338140 SAA Certificate Number: TUV16071EA
Dimmable	Triac / dali / 1-10V / WIFI
MEANWELL: LPD-40-700 is optional	

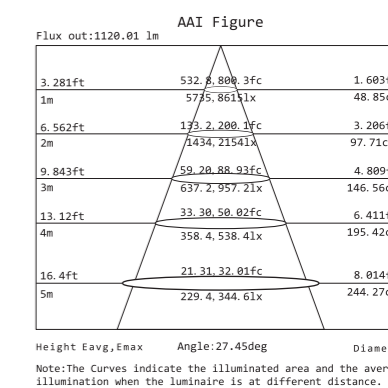
Model No.	Beam angle	CRI	CCT	Illumination	Illumination (S)	Input Voltage(V)
C301451	25°/55°	>80	3000K	2550LM	3300LM	AC100-277V AC200-240V
			4000K	2650LM	3500LM	
			6000K	2750LM	3700LM	



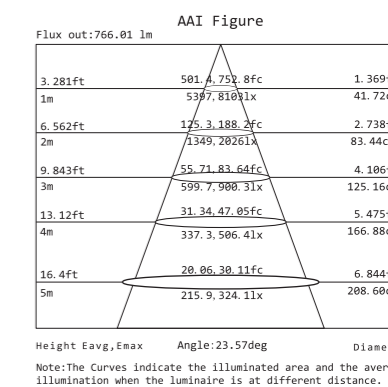
Graphical Representation for
D30145 WW 55° (S)



Graphical Representation for
D30145 WW 55°



Graphical Representation for
D30145 NW 25° (S)



Graphical Representation for
D30145 NW 25°