

DB Series 7-50W LED Downlight

2-way tiltable downlight

BESUN DB series downlight is a revolutionary new product which developed based on our 7years professional experiences. The performance is superior to our old "D" series downlights

DB Series;
Patented designs (6 patents)

Support almost all the famous light sources;
Perfectly compatible with the same light fixture, same size, but different light source.

Completely free solder assembling;
Replace any accessories perfectly without Soldering Tools

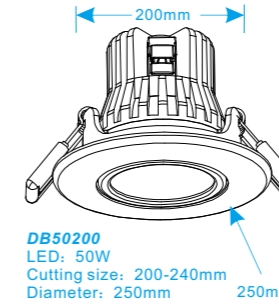
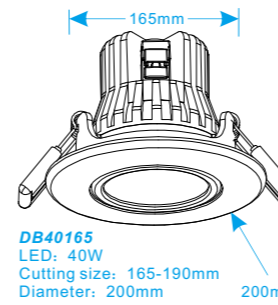
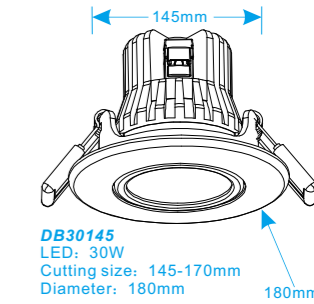
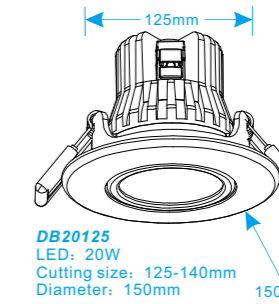
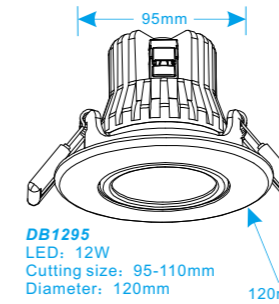
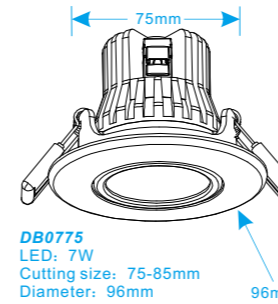
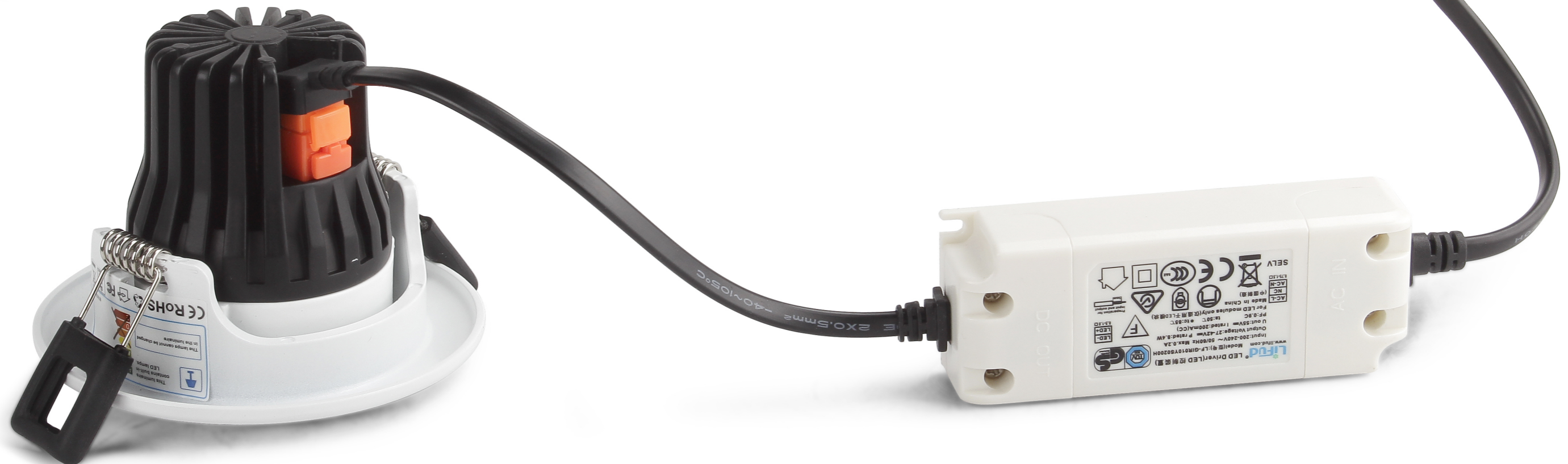
Perfect secondary optical design;
Beautiful light spot for wide/medium/small beam angle.

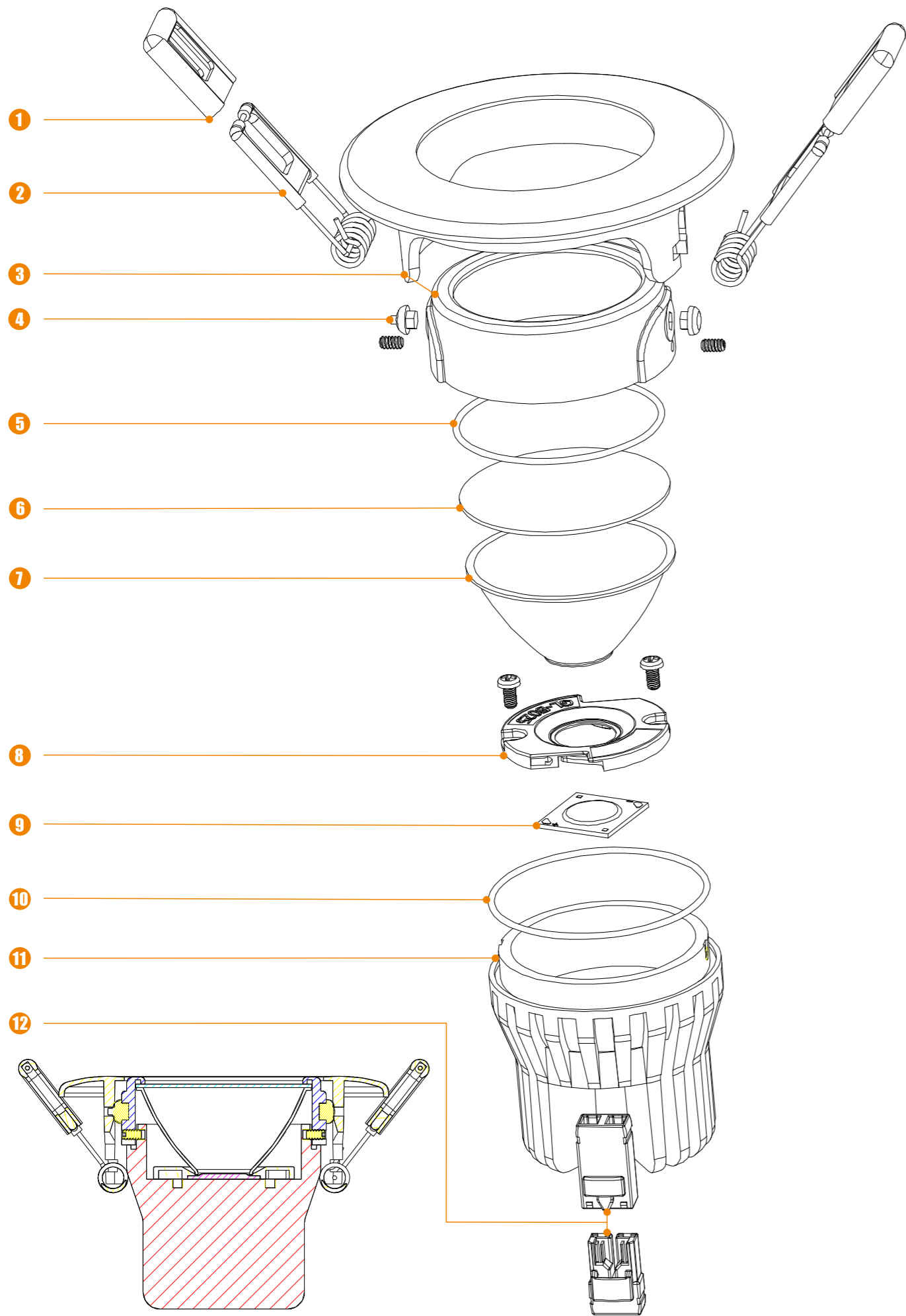
Physically waterproof and dustproof;
The highest IP rating reaches IP54

Greatly enhance the cold lumens;
136lm/W under CRI>90 & 3000K.

Non-flicker Driver;
Support Triac dim; 1-10V dim; Dali dim; Wifi dim, etc.

5 years warranty





1 Silicone spring cover to protect hands and paint



2 High-performance springs has passed salt spray test, corrosion resistance test, and anti-decay, ensure no deformation in 10 years.



3 Various color housing optional: white, silver, black, golden, etc.



4 Special axle design: It can be easily rotated (around 30deg) once lightly pushed, which is different from the traditional screw rotation. Rotation lifespan is about 200 times.



5 Silicone waterproof ring, physically waterproof and dustproof design, highest IP54.



6 Full tempered glass, even if broken, it will not endanger your safety.



7 Pure aluminum reflective cup, anodizing, anti-corrosiveness and anti-aging, which is different from electroplating plastic cup. Optional beam angle : 18°-110°



8 Free soldering LED connector (patented design)

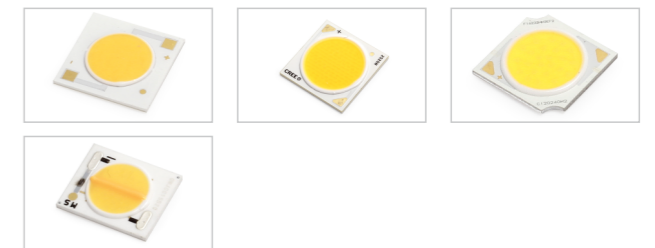


9 Optional LED

BESUN(COB)

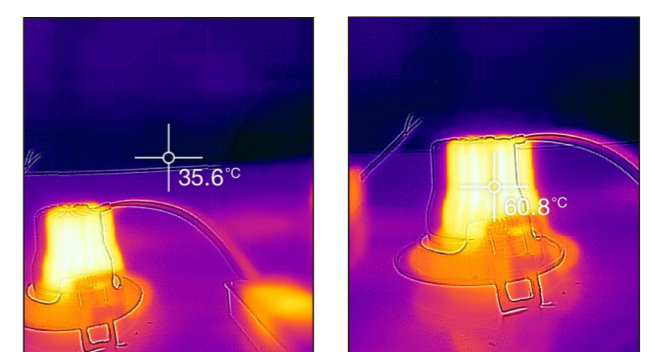
CREE(COB)

CITIZEN(COB)



SHARP(COB)

10 The passive radiator with superior heat dissipation under -40-55°C working environment. (L-80 temperature measuring point of light source is 55°C, 65°C and 85°C)



11 Recessed anti-pull-off connector (patented design)

Recessed connector design ensure the maximum installation space of the lamp, The connector deviate less than 1.5mm under 10n pull; the lamp and driver can be easily connected or replaced without soldering.



7W COB LED DOWNLIGHT



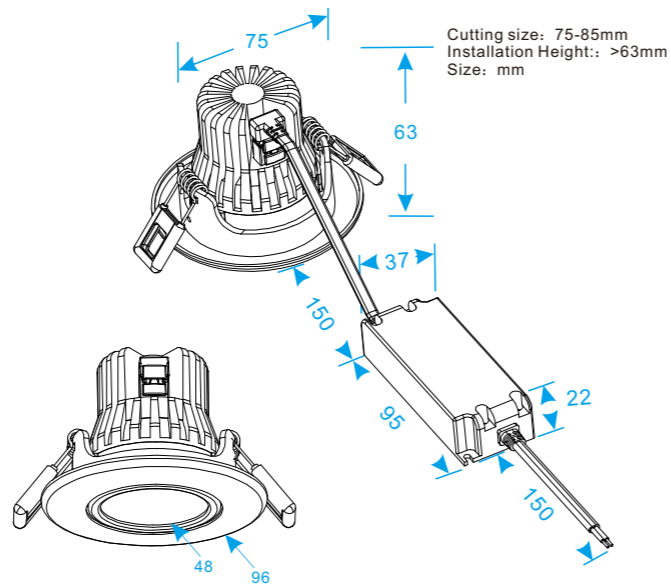
DB0775S

NETWEIGHT	0.32 Kg	CUTTINGSIZE	75-85mm	PACKING	10.5x10.5x11.5CM 1 pc	PACKING	43.5x43.5x36.5CM 48 pcs
------------------	---------	--------------------	---------	----------------	-----------------------	----------------	-------------------------



DB0775S is a perfect replacement of our D0675, except the same cutting size "75mm", all of the other data and performances are superior than old model.

- **Support almost all the famous light source;**
Perfectly compatible with the same light fixture, same size, but different light source.
- **Completely free solder assembling;**
Replace any accessories perfectly without Soldering Tools
- **Perfect secondary optical design;**
Beautiful light spot for wide/medium/small beam angle.
- **Physically waterproof and dustproof;**
The highest IP rating reaches IP54
- **Greatly enhance the cold lumens;**
136lm/W under CRI>90 & 3000K.
- **Non-flicker Driver;**
Support Triac dim; 1-10V dim; Dali dim; Wifi dim, etc.
- **5 years warranty**



Application:
DB series downlights are widely used as indoor main illumination lighting in household, hotel, restaurant, shopping mall, bar, KTV, cabinet, office, meeting room, library, museum, exhibition etc.

● Standard ○ Optional — Unsupported "E" Economy type "S" Standard type

LED	BESUN	BESUN	CREE	CITIZEN	SHARP
Item No.	● B20151305(S) ○ B20151307(M)	B20151202(E)	● CXA1507	● 026-1202C1	GW6NGWJCSOC
PCB	ceramic	ceramic	ceramic	aluminum	ceramic
CRI	● 90 R9>50 ○ other	● 90 R9>50 ○ other	● 80 R9>0 ○ 90 R9>50	● 90 R9>50 ○ other	● 95 R9>90
Power(W)	7	7	7	7	0.5-7
Voltage(V)	36V	36V	34.6V	36V	36V
Features	135lm/w	114lm/w	CREE	116lm/w	CCT Dimmable
CCT;LM/W 27=2700K 35=3500K	CCT LM/W	CCT LM/W	CCT LM/W	CCT LM/W	CCT LM/W W
	● 27 126	○ 27 105	● 27 120	● 27 111	● 20 69 1.5W
	● 30 135	● 30 114	● 30 120	● 30 116	● 25 80 3.3W
	● 40 144	● 40 122	○ 35 130	○ 35 119	● 27 84 4.9W
	○ 50 148	○ 50 125	● 40 130	● 40 135	● 28 84 6.6W
	○ 60 150	○ 60 123	○ 50 130		
○ other CRI>90	○ other CRI>90	○ other CRI>80	CRI>90	CRI>95	

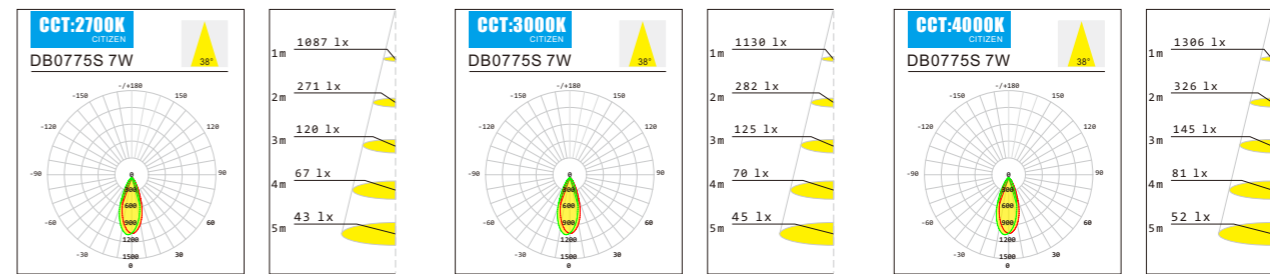
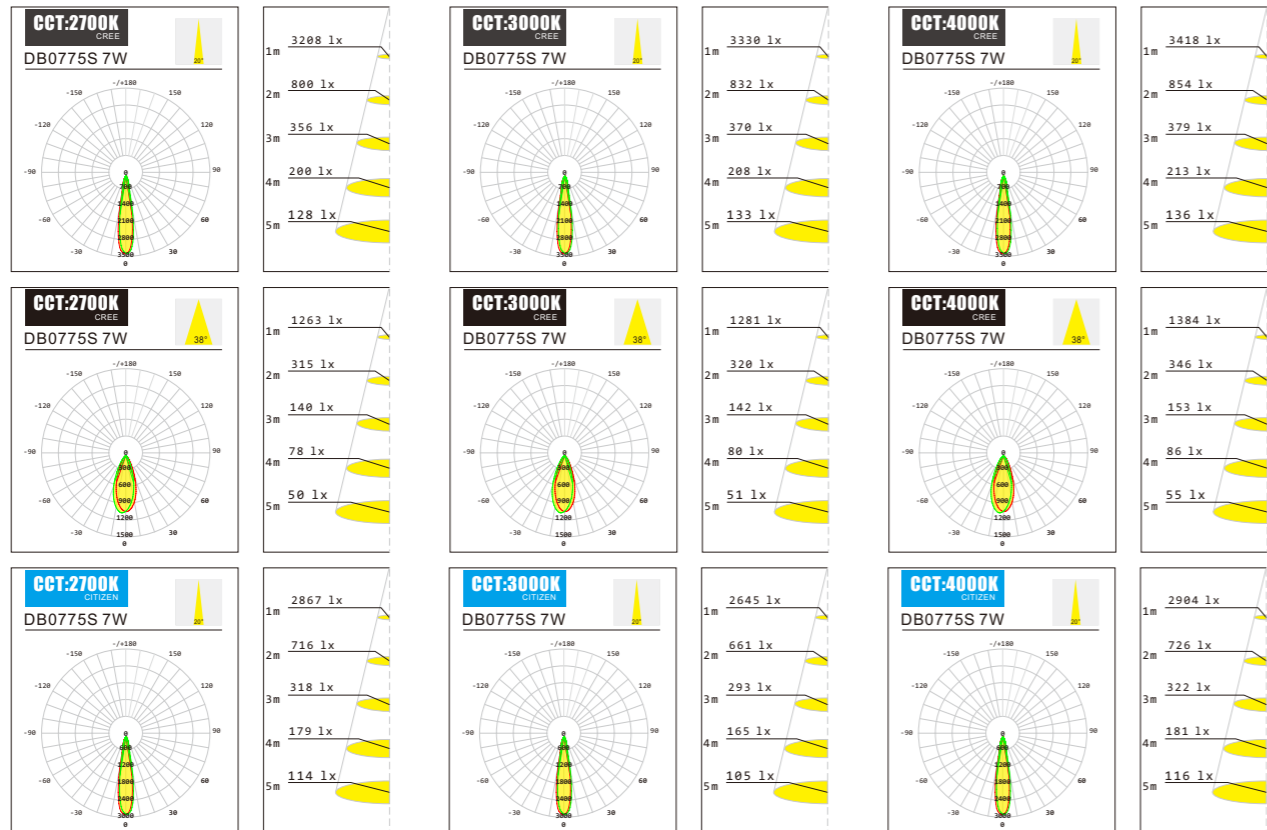
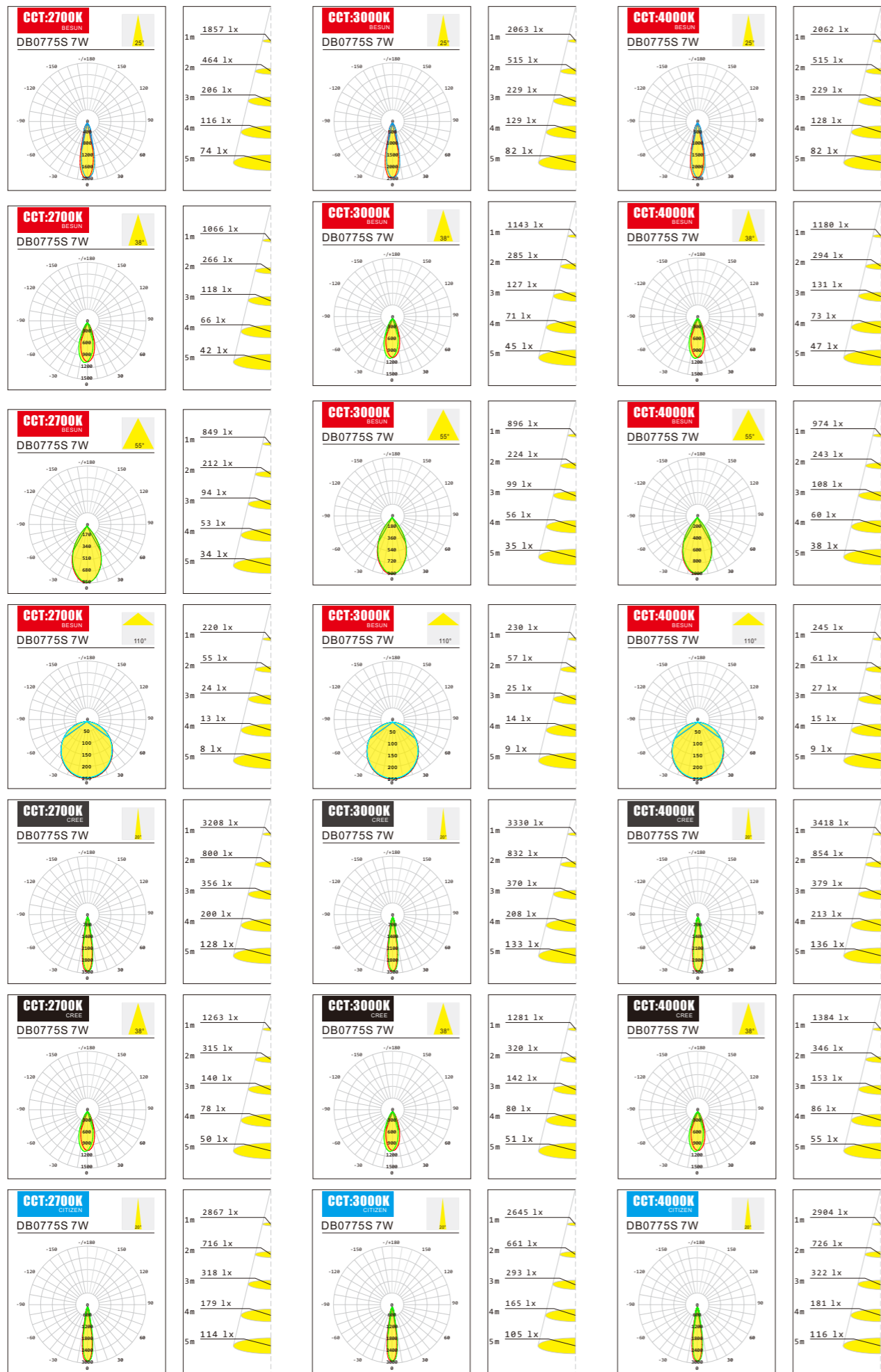
LED chip quantity	● 13*5 ○ 13*7	12*2	12*2	12*2	12*2
Certificates	L-80	-	L-80	L-80	L-80
Current Rating(mA)	200				
SDCM	<4				

● Standard ○ Optional — Unsupported "E" Economy type "S" Standard type

Driver	NO-DIM	DIM	Dali/Push-Dim	1-10V/Push-Dim	WiFi (intelligent)
Brand	● Lifud(S) ● 200-240VAC GIR010YS ○ 100-277VAC GIR007YA	● Eaglerise(S) ● 200-240VAC ELP009C0200LSD1	● Easeic ● 100-240VAC LND118	● Easeic ● 100-240VAC LNA118	● LTECH ● 12-48VDC WiFi104 R4-5A R4-CC T1 T2 T2M T3 T3M
	○ Eaglerise(E) ○ 200-240VAC EIP009C0200LSS	○ Eaglerise(E) ○ 200-240VAC EIP009C0200LSD1L			
DC Output	27-42V/200mA	27-42V/200mA	27-42V/180mA	27-42V/180mA	12-48V 1-1400mA
PF/PE	GIR010YS 0.95/83%	ELP009C0200LSD1 0.95/80%	0.9/80%	0.9/80%	/
	GIR007YA 0.95/80%	EIP009C0200LSD1L 0.95/80%			
Flickering	GIR010YS NO	ELP009C0200LSD1 NO	yes	yes	/
	GIR007YA yes	EIP009C0200LSD1L yes			
Certificates	GIR10YS(A)	ELP009C0200LSD1	LND118	LNA118	/
	CE CB GS RCM SAA CCC	CE SAA			
	GIR007YA	-			
	CE	-	CE CUL SAA	CE CUL SAA	CE ROHS FCC
	EIP009C0200LSS	EIP009C0200LSD1L			
CE TUV BIS	TUV CE SAA				

● Standard ○ Optional — Unsupported "E" Economy type "S" Standard type
The lamp working voltage with different light source is corresponds to the driver working voltage

Lamp	BESUN	BESUN	CREE	CITIZEN	SHARP
Item No.	DB0775S	DB0775E	DB0775S	DB0775S	DB0775S
Warranty	5 years	3 years	5 years	5 years	5 years
System Consumption(W)	8.5	8.5	8.5	8.5	1-9
Beam Angle	25°/38°/55°/110°	25°/38°/55°/110°	20°/38°	20°/38°	38°
UGR	22-36	22-36	22-23	22-23	22
Soldering technology	Free soldering	Free soldering	Free soldering	Free soldering	-
Certificates	CE RoHS FCC V0 ERP LM-79	CE RoHS FCC V0	CE RoHS FCC V0 ERP LM-79	CE RoHS FCC V0 ERP LM-79	CE RoHS FCC V0 ERP LM-79
Working environment	-40°-55°				
IP grade	● IP33 ○ IP54				
Color of Housing	● W OS OB OV				
optical data	.IES/.CIE/.CEN/.Tm14/.CIB/.LDT				
System lm/w 30=3000K 35=3500K	CCT LM 55°	CCT LM 55°	CCT LM 38°	CCT LM 38°	CCT LM W
	● 27 700	○ 27 600	● 27 630	● 27 570	● 20 80 1.8
	● 30 750	● 30 630	● 30 650	● 30 590	● 25 200 4
	● 40 800	● 40 700	○ 35 670	○ 35 610	● 27 330 6
	○ 50 810	○ 50 700	● 40 690	● 40 650	● 28 495 9
	○ 60 820	○ 60 710	○ 50 700		
○ other CRI>90	○ other CRI>90	○ other CRI>80	CRI>90	CRI>95	

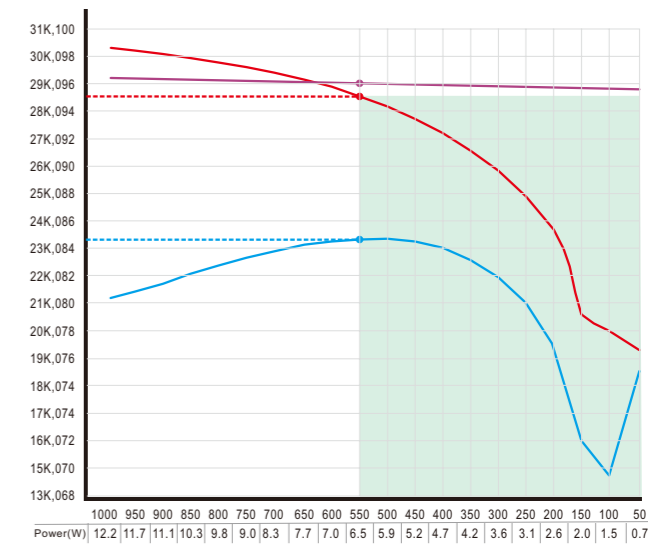


CCT/Parameters		BESUN DB0775S				BESUN DB0775E				CREE DB0775S		CITIZEN DB0775S	
2700K	Angle(°)	25.8°	39.3°	55.7°	106.1°	25.1°	38.9°	55.8°	106.3°	19.1°	37°	18.5°	37.5°
	RA	>90	>90	>90	>90	>90	>90	>90	>90	>80	>80	>90	>90
	LM	609	604	699	578	525	520	608	500	634	631	570	563
	UGR	22.8	24.6	24.3	36.4	23.1	24.1	23	36.2	21.3	22.8	22.4	23.1
3000K	Angle(°)	25°	38.8°	56°	106.2°	24.5°	38.5°	56°	106.4°	19.5°	37.4°	19.2°	37.3°
	RA	>90	>90	>90	>90	>90	>90	>90	>90	>80	>80	>90	>90
	LM	642	637	750	607	550	549	637	521	668	651	583	580
	UGR	23	23.9	24.8	34.3	22.4	23.6	24.6	36.1	21.4	22.7	22.7	23.1
4000K	Angle(°)	25.5°	39.1°	55.9°	106.6°	25.3°	38.7°	55.9°	106.3°	19.4°	37.3°	19.3°	36.2°
	RA	>90	>90	>90	>90	>90	>90	>90	>90	>80	>80	>90	>90
	LM	679	672	804	647	619	607	708	579	694	698	658	656
	UGR	23.7	24.6	25.4	36.4	23.2	24.1	25.2	36.5	21.3	22.5	21.6	22.8
5000K	Angle(°)	24.9°	38.9°	56.3°	107°	25.6°	39.2°	55.9°	106.7°	-	-	-	-
	RA	>90	>90	>90	>90	>90	>90	>90	>90	-	-	-	-
	LM	688	679	810	632	607	604	702	554	-	-	-	-
	UGR	22.7	23.9	25.8	36.4	22.7	24.7	25.9	35.6	-	-	-	-
6000K	Angle(°)	24.9°	39.1°	55.5°	107.3°	24.5°	38.7°	56.2°	106.8°	-	-	-	-
	RA	>90	>90	>90	>90	>90	>90	>90	>90	-	-	-	-
	LM	723	703	819	655	601	589	711	559	-	-	-	-
	UGR	23.4	23.9	22.1	36	23	24	25.9	36.4	-	-	-	-

Triac dimmer compatibility

Brand	Item No.	Item No.	picture
CLIPSAL	32E450UDM	220-240VAC 50Hz MAX:450W	
CLIPSAL	32E450ULM	220-240VAC 50Hz MAX:450W	
JUNG	225NV DE	220-240VAC 50Hz MAX:20-500W	
GIRA	226200/I01	220-240VAC 50Hz MAX:20-500W	
BERKER	2873	220-240VAC 50Hz MAX:20-500W	

2000K-3000K dimmable downlight graph(LED)



— CRI — CCT — light efficiency — DB0775S CCT dim range
 31K, 100=3100K, CRI 100 and 100LM/W
 1000=1000LM 950=950LM 900=900LM.....

12W COB LED DOWNLIGHT



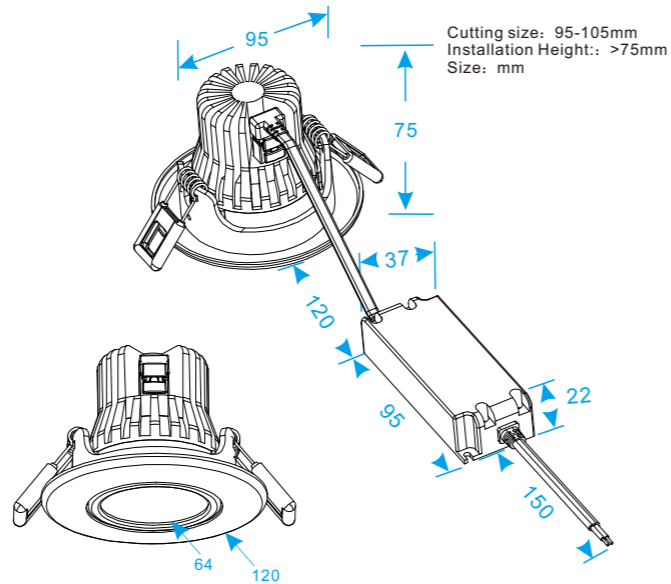
DB1295S

NETWEIGHT 0.47 Kg	CUTTINGSIZE 95-105mm	PACKING 12.5x12.5x12.5CM 1 pc	PACKING 51.5x39.0x39.5CM 36 pcs
-----------------------------	--------------------------------	---	---



DB1295S is a perfect replacement of our D1095, except the same cutting size "95mm", all of the other data and performances are superior than old model.

- **Support almost all the famous light source;**
Perfectly compatible with the same light fixture, same size, but different light source.
- **Completely free solder assembling;**
Replace any accessories perfectly without Soldering Tools
- **Perfect secondary optical design;**
Beautiful light spot for wide/medium/small beam angle.
- **Physically waterproof and dustproof;**
The highest IP rating reaches IP54
- **Greatly enhance the cold lumens;**
131lm/W under CRI>90 & 3000K.
- **Non-flicker Driver;**
Support Triac dim; 1-10V dim; Dali dim; Wifi dim, etc.
- **5 years warranty**



Application:
DB series downlights are widely used as indoor main illumination lighting in household, hotel, restaurant, shopping mall, bar, KTV, cabinet, office, meeting room, library, museum, exhibition etc.

● Standard ○ Optional — Unsupported "E" Economy type "S" Standard type

LED	BESUN	BESUN	CREE	CITIZEN	SHARP
Item No.	● B20151204(S)	● B20151204(E)	● CXA1512	● 026-1204C4	GW6NGWJCSOC
PCB	ceramic	ceramic	ceramic	aluminum	ceramic
CRI	● 90 R9>50 ○ other	● 90 R9>50 ○ other	● 80 R9>0 ○ 90 R9>50	● 90 R9>50 ○ other	● 95 R9>90
Power(W)	12	12	12.5	12	0.5-12
Voltage(V)	35V	35V	36V	35V	35V
Features	131lm/w	114lm/w	CREE	117lm/w	CCT Dimmable
CCT;LM/W 27=2700K 35=3500K	CCT LM/W	CCT LM/W	CCT LM/W	CCT LM/W	CCT LM/W W
	● 27 116	○ 27 112	● 27 123	● 27 115	● 20 69 1.5w
	● 30 131	● 30 114	● 30 134	● 30 117	● 25 80 3.3w
	● 40 136	● 40 124	○ 35 134	○ 35 117	● 27 84 4.9w
	○ 50 142	○ 50 126	● 40 134	● 40 139	● 30 80 12w
	○ 60 140	○ 60 122	○ 50 134		
○ other CRI>90	○ other CRI>90	○ other CRI>80	CRI>90	CRI>95	

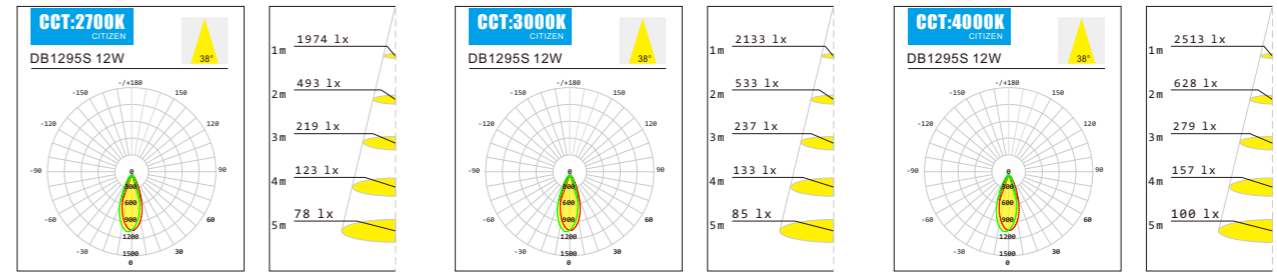
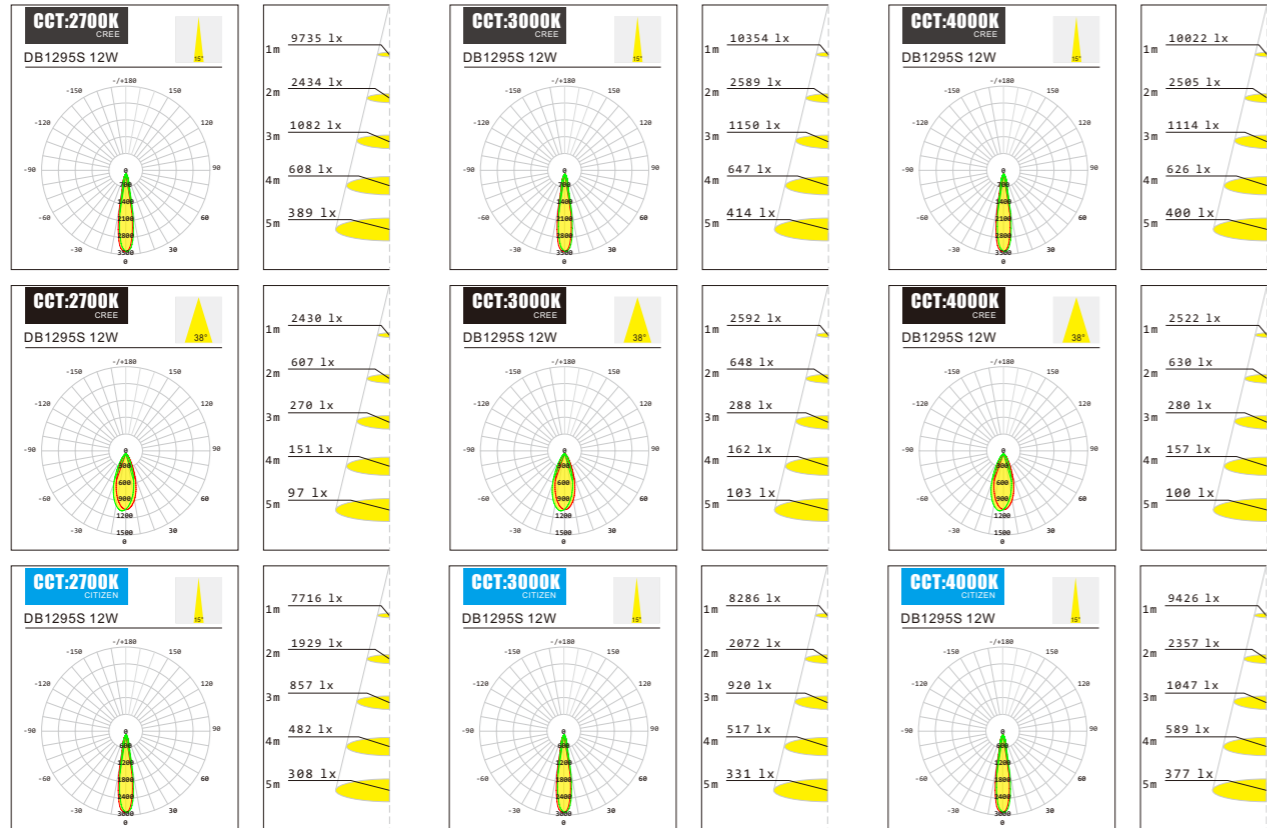
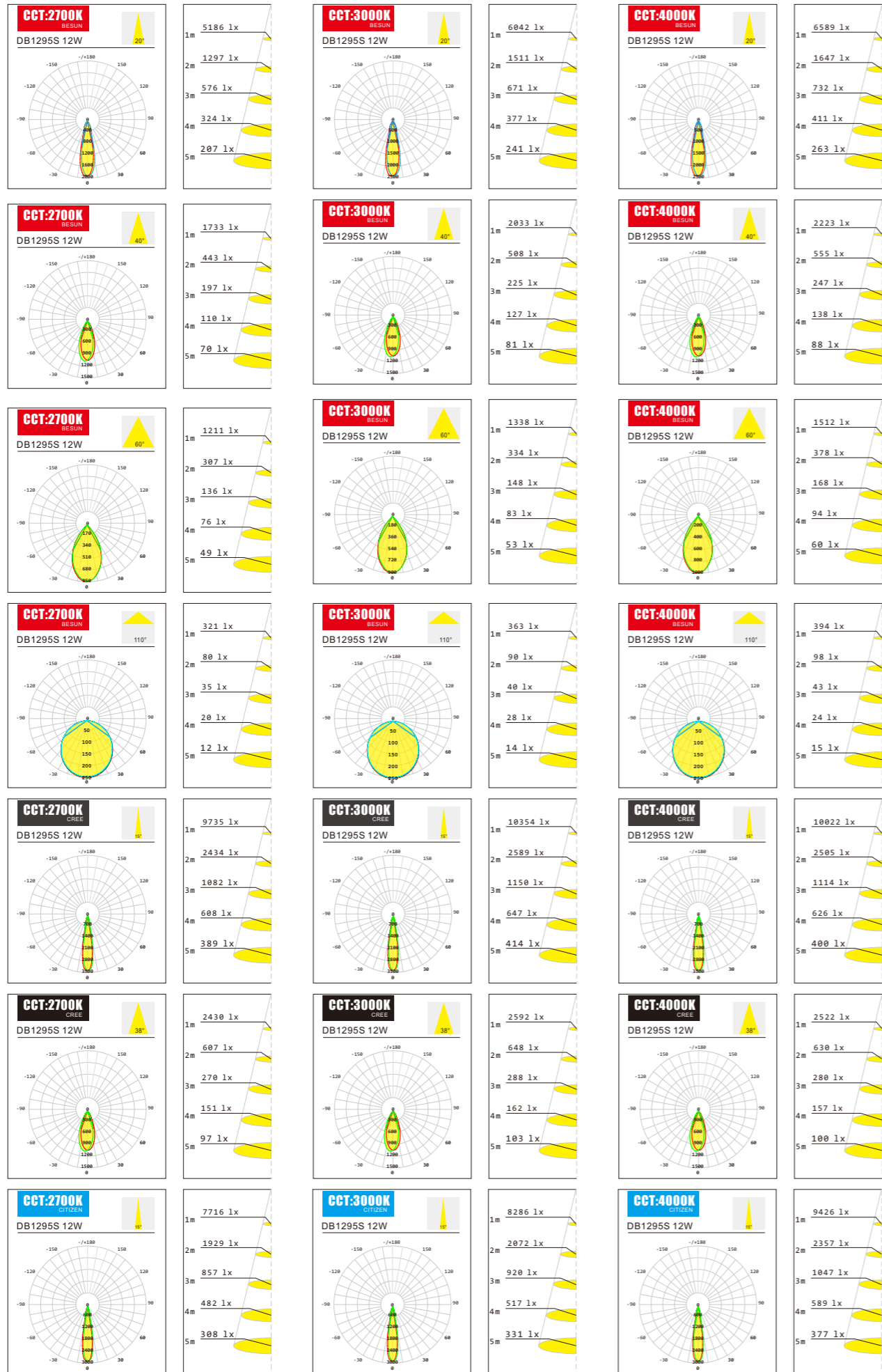
LED chip quantity	12*4	12*4	12*3	12*4	12*2
Certificates	L-80	-	L-80	L-80	L-80
Current Rating(mA)	350				
SDCM	<4				

● Standard ○ Optional — Unsupported "E" Economy type "S" Standard type

Driver	NO-DIM	DIM	Dali/Push-Dim	1-10V/Push-Dim	WiFi (intelligent)
Brand	Lifud(S) ● 200-240VAC GIR015YS ○ 100-277VAC GIR020YK Lifud(E) ○ 200-240VAC GIR013YS0350H	Eaglerise(S) ● 200-240VAC ELP012C0350LSD1 Eaglerise(E) ○ 200-240VAC EIP012C0350LSD1L	Easeic ● 100-240VAC LND118	Easeic ● 100-240VAC LNA118	LTECH ● 12-48VDC WiFi104R R4-5A R4-CC T1 T2 T2M T3 T3M
	DC Output	27-42V/350mA	27-35V/350mA	27-42V/350mA	27-42V/350mA
PF/PE	GIR015YS 0.95/85% GIR020YK 0.95/85% GIR013YS0350H 0.45/82%	ELP012C0350LSD1 0.95/80% EIP012C0350LSD1L 0.95/80%	0.9/80%	0.9/80%	/
Flickering	GIR015YS NO GIR020YK yes GIR013YS0350H NO	ELP012C0350LSD1 NO EIP012C0350LSD1L yes	yes	yes	/
Certificates	GIR015YS(A)	ELP012C0350LSD1	LND118	LNA118	/
	CE CB GS RCM SAA CCC	CE SAA			
	GIR020YK	EIP012C0350LSD1L	CE CUL SAA	CE CUL SAA	CE ROHS FCC
	CE CB GS				
	GIR013YS0350H	TUV CE			

● Standard ○ Optional The lamp working voltage with different light source is corresponds to the driver working voltage

Lamp	BESUN	BESUN	CREE	CITIZEN	SHARP
Item No.	DB1295S	DB1295E	DB1295S	DB1295S	DB1295S
Warranty	5 years	3 years	5 years	5 years	5 years
System Consumption(W)	14	14	14.5	14	1-14
Beam Angle	20°/38°/60°/110°	20°/38°/60°/110°	15°/38°	15°/38°	15°/38°
UGR	17-35	17-35	15-19	15-19	19
Soldering technology	Free soldering	Free soldering	Free soldering	Free soldering	—
Certificates	CE RoHS FCC V0 ERP LM-79	CE RoHS FCC V0	CE RoHS FCC V0 ERP LM-79	CE RoHS FCC V0 ERP LM-79	CE RoHS FCC V0 ERP LM-79
Working environment	-40°-55°				
IP grade	● IP33 ○ IP54				
Color of Housing	● W OS OB OV				
optical data	.IES/.CIE/.CEN/.Tm14/.CIB/.LDT				
System lm/w 30=3000K 35=3500K	CCT LM 60°	CCT LM 60°	CCT LM 38°	CCT LM 38°	CCT LM W
	● 27 1040	○ 27 1000	● 27 1170	● 27 990	● 20 80 1.8
	● 30 1160	● 30 1040	● 30 1250	● 30 1060	● 25 200 4
	● 40 1300	● 40 1130	○ 35 1230	○ 35 1060	● 27 460 6
	○ 50 1270	○ 50 1160	● 40 1230	● 40 1270	● 30 800 13.5
	○ 60 1251	○ 60 1110	○ 50 1240		
○ other CRI>90	○ other CRI>90	○ other CRI>80	CRI>90	CRI>95	

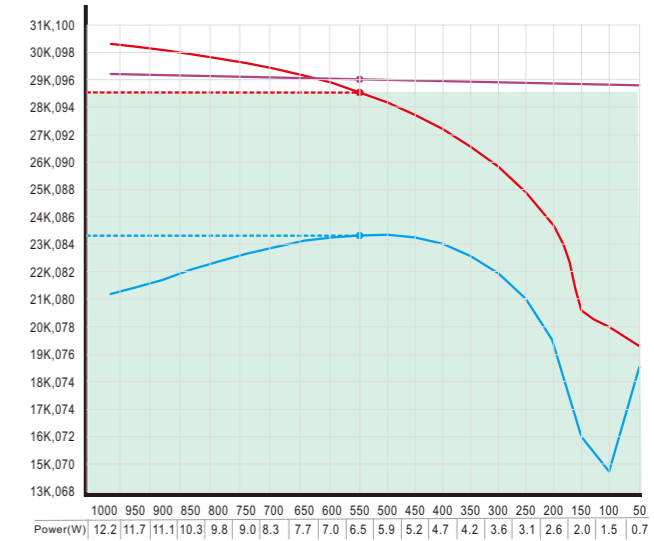


CCT/Parameters	BESUN DB1295S				BESUN DB1295E				CREE DB1295S		CITIZEN DB1295S		
2700K	Angle(°)	20°	40.2°	58.4°	108°	19.7°	39.9°	59.1°	108°	15.6°	37.3°	15.7°	38.1°
	RA	>90	>90	>90	>90	>90	>90	>90	>90	>80	>80	>90	>90
	LM	1000	975	1039	868	985	964	1002	831	1209	1171	1011	989
	UGR	17.4	19.3	22.3	34.3	17.1	19.5	22.4	34.1	15.2	17.6	15.3	18.9
3000K	Angle(°)	19.9°	40.1°	59.9°	108.1°	19.6°	39.9°	59.1°	107.8°	15.6°	37.4°	15.9°	38.1°
	RA	>90	>90	>90	>90	>90	>90	>90	>90	>80	>80	>90	>90
	LM	1132	1109	1168	982	1031	998	1041	831	1290	1256	1092	1063
	UGR	16.5	19.6	22.3	34.3	17.1	19.2	22.7	34.1	15.3	18.1	14.7	18.6
4000K	Angle(°)	19.9°	40°	59.9°	108.1°	19.6°	39.8°	59.1°	107.8°	15.8°	37.6°	16.3°	38.4°
	RA	>90	>90	>90	>90	>90	>90	>90	>90	>80	>80	>90	>90
	LM	1240	1211	1168	1063	1127	1091	1041	869	1269	1229	1299	1273
	UGR	16.9	19.8	22.3	33.6	17.5	19	22.7	33.8	14.8	18.5	15.6	18.9
5000K	Angle(°)	20.3°	40.1°	59.7°	108.3°	19°	39.9°	59.2°	108.3°	-	-	-	-
	RA	>90	>90	>90	>90	>90	>90	>90	>90	-	-	-	-
	LM	1217	1175	1251	1065	1153	1114	1166	973	-	-	-	-
	UGR	17.2	19.6	23	34.5	17	19.3	22.9	34.2	-	-	-	-
6000K	Angle(°)	20.1°	40.1°	59.7°	108.3°	20.2°	40.4°	59.8°	108.3°	-	-	-	-
	RA	>90	>90	>90	>90	>90	>90	>90	>90	-	-	-	-
	LM	1217	1175	1251	1065	1089	1057	1103	900	-	-	-	-
	UGR	17.2	19.6	23	33.9	17.2	19.5	22.3	34.3	-	-	-	-

Triac dimmer compatibility

Brand	Item No.	picture
CLIPSAL	32E450UDM 220-240VAC 50Hz MAX:450W	
CLIPSAL	32E450ULM 220-240VAC 50Hz MAX:450W	
JUNG	225NV DE 220-240VAC 50Hz MAX:20-500W	
GIRA	226200/I01 220-240VAC 50Hz MAX:20-500W	
BERKER	2873 220-240VAC 50Hz MAX:20-500W	

2000K-3000K dimmable downlight graph(LED)



— CRI — CCT — light efficiency — DB1295S CCT dim range
 31K, 100=3100K, CRI 100 and 100LM/W
 1000=1000LM 950=950LM 900=900LM.....