

DF Series 7-50W LED Downlight Fixed (no tilt) Downlight

BESUN DF series downlight is a revolutionary new product which developed based on our 7years professional experiences. The performance is superior to our old "D" series downlights

DF Series;
Patented designs (6 patents)

Support almost all the famous light source;
Perfectly compatible with the same light fixture, same size, but different light source.

Completely free solder assembling;
Replace any accessories perfectly without Soldering Tools

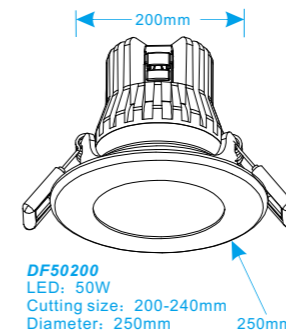
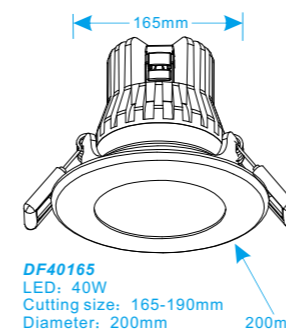
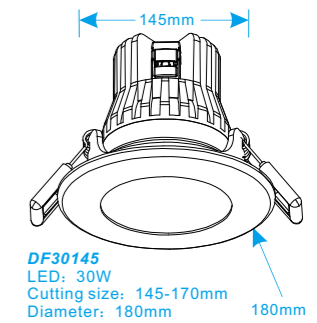
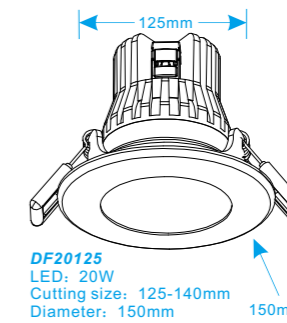
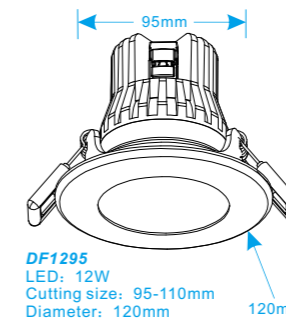
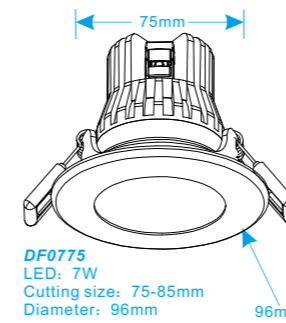
Perfect secondary optical design;
Beautiful light spot for wide/medium/small beam angle.

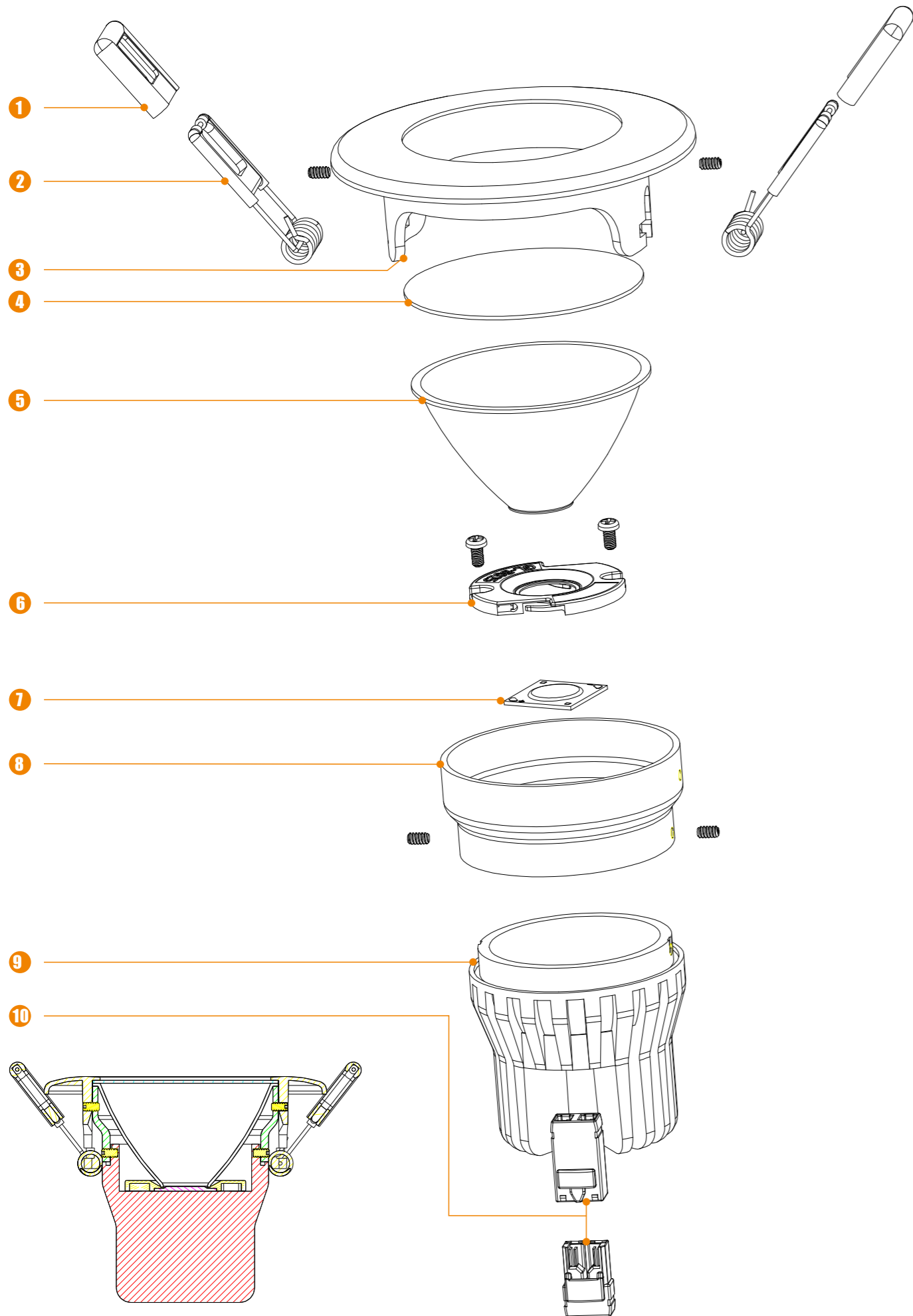
IP33

Greatly enhance the cold lumens;
135lm/W under CRI>90 & 3000K.

Non-flicker Driver;
Support Triac dim; 1-10V dim; Dali dim; Wifi dim, etc.

5 years warranty





LED DOWNLIGHT DF

1 Silicone spring cover to protect hands and paint



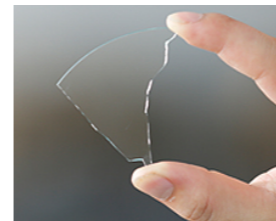
2 High-performance springs has passed salt spray test, corrosion resistance test, and anti-decay, ensure no deformation in 10 years.



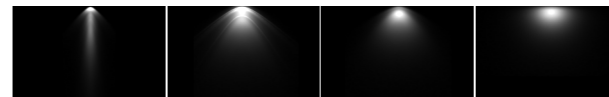
3 Various color housing optional: white, silver, black, golden, etc.



4 Full tempered glass, even if broken, it will not endanger your safety. Optional glass: clear glass, frosted glass, middle-frosted glass.



5 Pure aluminum reflective cup, Anodizing, anti-corrosiveness and anti-aging, which is different from electroplating plastic cup. Optional beam angle : 15°-110°



6 Free soldering LED connector (patented design)



7 Optional LED

BESUN(COB)

CREE(COB)

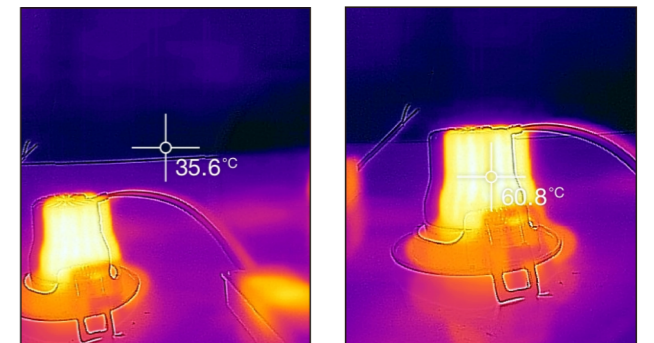
CITIZEN(COB)



SHARP(COB)

8 Black connecting ring

9 The passive radiator with superior heat dissipation under -40-55°C working environment. (L-80 temperature measuring point of light source is 25°C, 65°C and 85°C)



10 Recessed anti-pull-off connector (patented design) Recessed connector design ensure the maximum installation space of the lamp, The connector deviate less than 1.5mm under 10r pull; the lamp and driver can be easily connected or replaced without soldering.



LED DOWNLIGHT DF

7W COB LED DOWNLIGHT



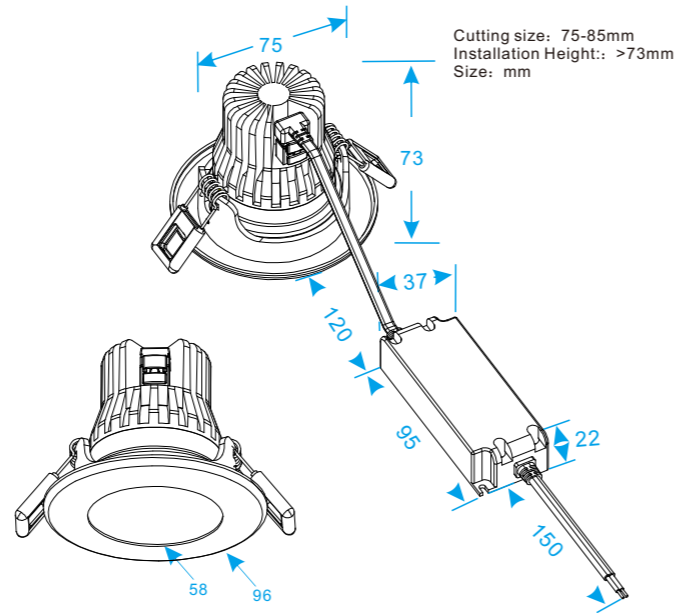
DF0775S

NETWEIGHT 0.32 Kg	CUTTINGSIZE 75-85mm	PACKING 10.5x10.5x11.5CM 1 pc	PACKING 43.5x43.5x36.5CM 48 pcs
-----------------------------	-------------------------------	---	---



DF0775S is a perfect replacement of our D0675, except the same cutting size "75mm", all of the other data and performances are superior than old model.

- **Support almost all the famous light source;** Perfectly compatible with the same light fixture, same size, but different light source.
- **Completely free solder assembling;** Replace any accessories perfectly without Soldering Tools
- **Perfect secondary optical design;** Beautiful light spot for wide/medium/small beam angle.
- **Physically waterproof and dustproof;** The highest IP rating reaches IP33
- **Greatly enhance the cold lumens;** 136lm/W under CRI>90 & 3000K.
- **Non-flicker Driver;** Support Triac dim; 1-10V dim; Dali dim; Wifi dim, etc.
- **5 years warranty**



Application:
DF series downlights are widely used as indoor main illumination lighting in household, hotel, restaurant, shopping mall, bar, KTV, cabinet, office, meeting room, library, museum, exhibition etc...

● Standard ○ Optional — Unsupported "E" Economy type "S" Standard type

LED	BESUN	BESUN	CREE	CITIZEN	SHARP
Brand	● B20151305(S) ○ B20151307(M)	B20151202(E)	● CXA1507	● 026-1202C1	GW6NGWJCSOC
PCB	ceramic	ceramic	ceramic	aluminum	ceramic
CRI	● 90 R9>50 ○ other	● 90 R9>50 ○ other	● 80 R9>0 ○ 90 R9>50	● 90 R9>50 ○ other	● 95 R9>90
Power(W)	7	7	7	7	0.5-7
Voltage(V)	36V	36V	34.6V	36V	36V
Features	135lm/w	114lm/w	CREE	116lm/w	CCT Dimmable
CCT;LM/W 27=2700K 35=3500K	CCT LM/W	CCT LM/W	CCT LM/W	CCT LM/W	CCT LM/W W
	● 27 126	○ 27 105	● 27 120	● 27 111	● 20 69 1.5W
	● 30 135	● 30 114	● 30 120	● 30 116	● 25 80 3.3W
	● 40 144	● 40 122	○ 35 130	○ 35 119	● 27 84 4.9w
	○ 50 148	○ 50 125	● 40 130	● 40 135	● 28 84 6.6w
	○ 60 150	○ 60 123	○ 50 130		
○ other CRI>90	○ other CRI>90	○ other CRI>80	CRI>90	CRI>95	

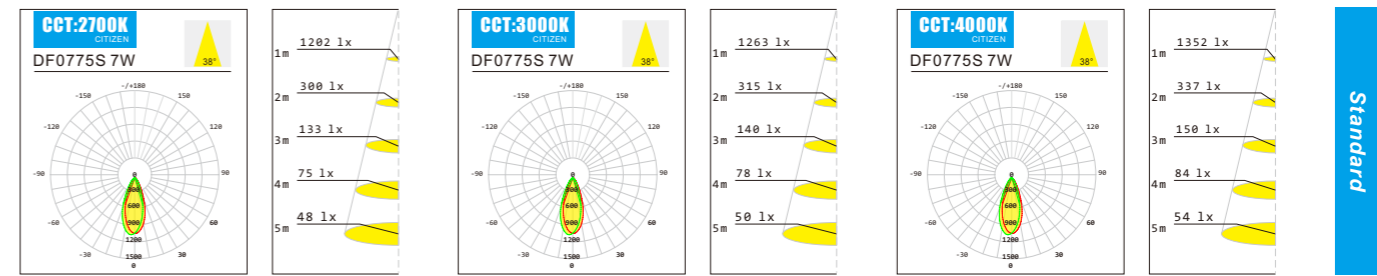
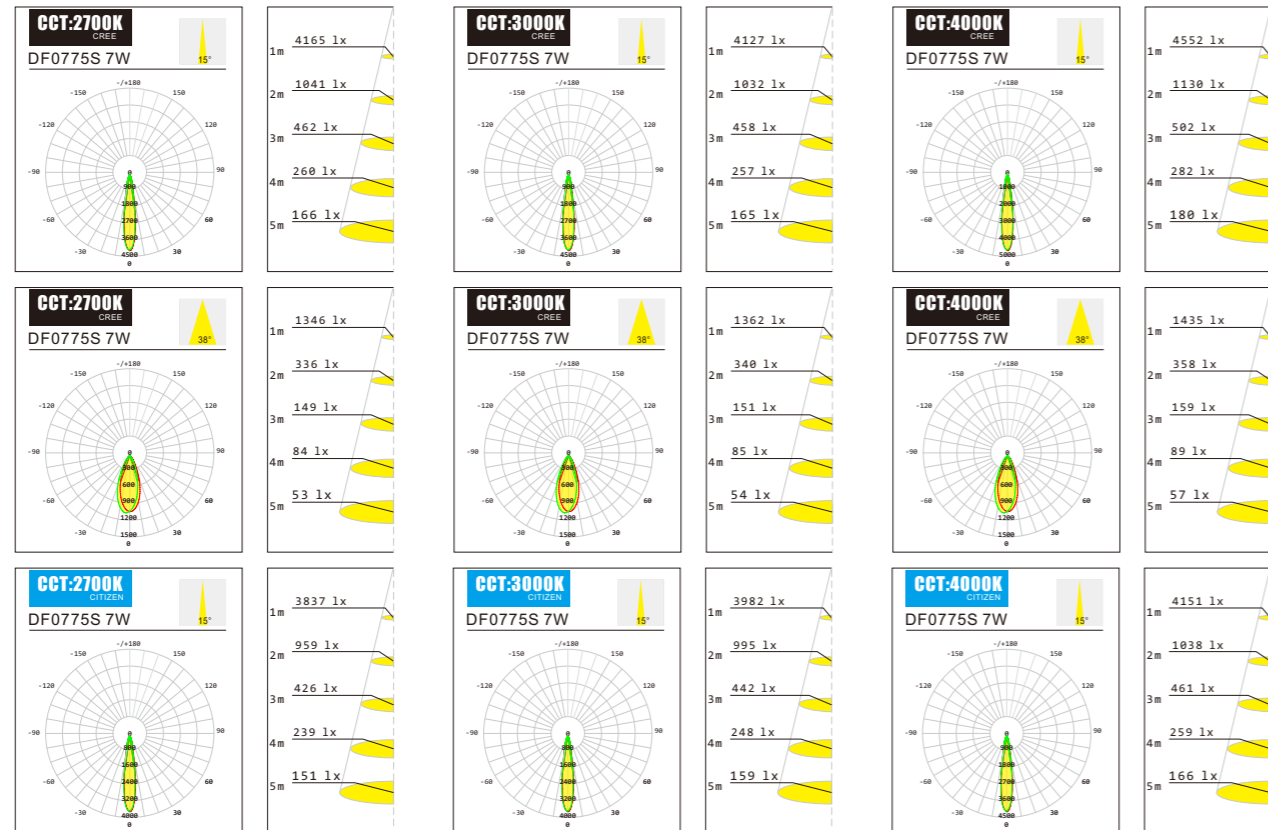
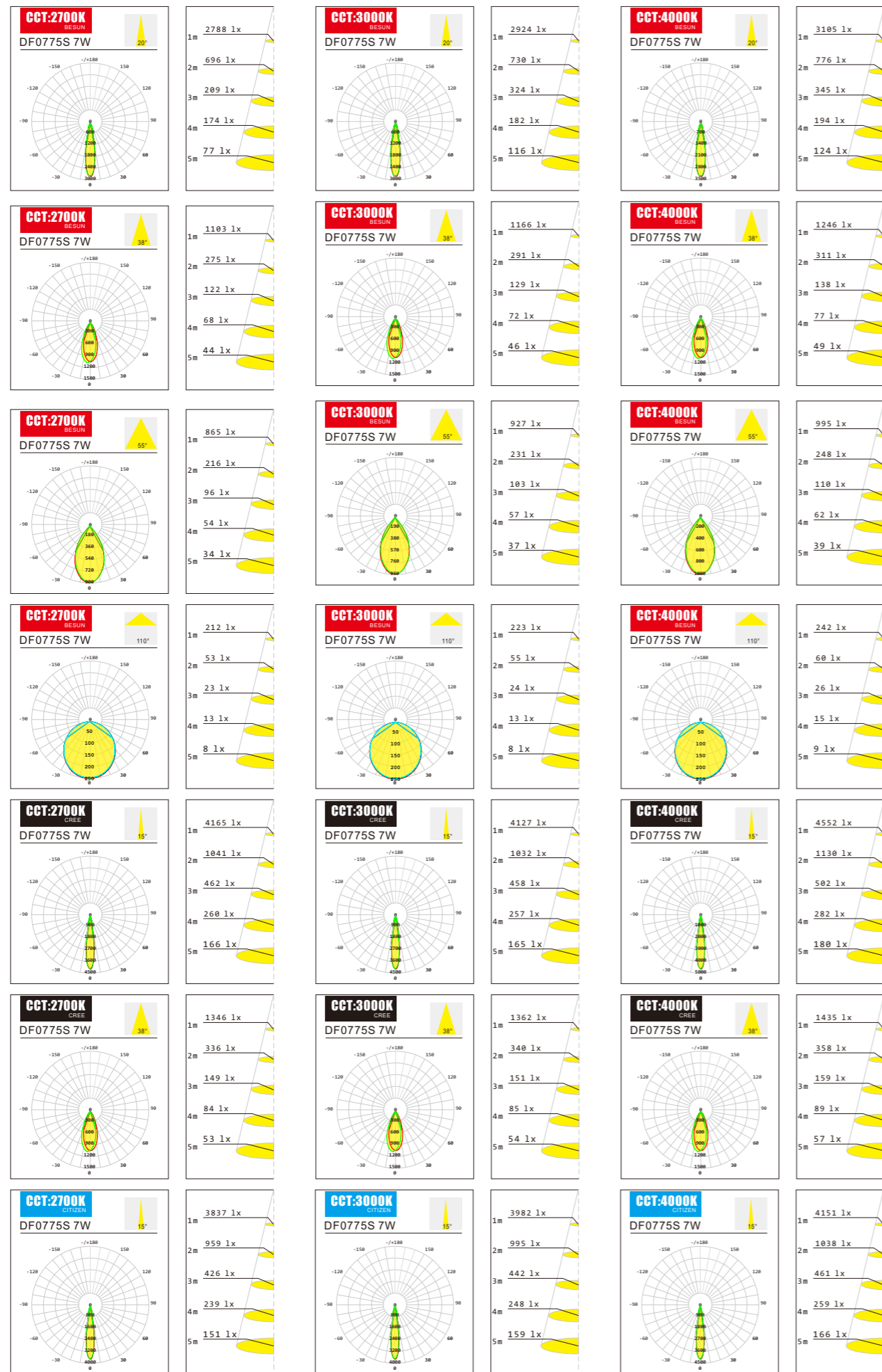
LED chip quantity	● 13*5 ○ 13*7	12*2	12*2	12*2	12*2
Certificates	L-80	-	L-80	L-80	L-80
Current Rating(mA)	200				
SDCM	<4				

● Standard ○ Optional — Unsupported "E" Economy type "S" Standard type

Driver	NO-DIM	DIM	Dali/Push-Dim	1-10V/Push-Dim	WiFi (intelligent)
Brand	Lifud(S) ● 200-240VAC GIR010YS ○ 100-277VAC GIR007YA	Eaglerise(S) ● 200-240VAC ELP009C0200LSD1	Easeic ● 100-240VAC LND118	Easeic ● 100-240VAC LNA118	LTECH ● 12-48VDC WiFi104 R4-5A R4-CC T1 T2 T2M T3 T3M
	Eaglerise(E) ○ 200-240VAC EIP009C0200LSS	Eaglerise(E) ○ 200-240VAC EIP009C0200LSD1L			
DC Output	27-42V/200mA	27-42V/200mA	27-42V/180mA	27-42V/180mA	12-48V 1-1400mA
PF/PE	GIR010YS 0.95/83% GIR007YA 0.95/80% EIP009C0200LSS 0.5/84%	ELP009C0200LSD1 0.95/80% EIP009C0200LSD1L 0.95/80%	0.9/80%	0.9/80%	/
Flickering	GIR010YS NO GIR007YA yes EIP009C0200LSS NO	ELP009C0200LSD1 NO EIP009C0200LSD1L yes	yes	yes	/
Certificates	GIR10YS(A) CE CB GS RCM SAA CCC GIR007YA CE EIP009C0200LSS CE TUV BIS	ELP009C0200LSD1 CE SAA EIP009C0200LSD1L TUV CE SAA	LND118 CE CUL SAA	LNA118 CE CUL SAA	/ CE ROHS FCC

● Standard ○ Optional The lamp working voltage with different light source is corresponds to the driver working voltage

Lamp	BESUN	BESUN	CREE	CITIZEN	SHARP
Item No.	DF0775S	DF0775E	DF0775S	DF0775S	DF0775S
Warranty	5 years	3 years	5 years	5 years	5 years
System Consumption(W)	8.5	8.5	8.5	8.5	1-9
Beam Angle	20°/38°/55°/110°	20°/38°/55°/110°	15°/38°	15°/38°	38°
UGR	19-35	19-35	18-19	18-19	19
Soldering technology	Free soldering	Free soldering	Free soldering	Free soldering	—
Certificates	CE RoHS FCC V0 ERP LM-79	CE RoHS FCC V0	CE RoHS FCC V0 ERP LM-79	CE RoHS FCC V0 ERP LM-79	CE RoHS FCC V0 ERP LM-79
Working environment	-40°-55°				
IP grade	IP33				
Color of Housing	● W OS OB OV				
optical data	.IES/.CIE/.CEN/.Tm14/.CIB/.LDT				
System lm/w 30=3000K 35=3500K	CCT LM 55°	CCT LM 55°	CCT LM 38°	CCT LM 38°	CCT LM W
	● 27 690	○ 27 580	● 27 630	● 27 570	● 20 80 1.8
	● 30 740	● 30 630	● 30 650	● 30 590	● 25 200 4
	● 40 790	● 40 700	○ 35 670	○ 35 610	● 27 330 6
	○ 50 800	○ 50 700	● 40 690	● 40 650	● 28 495 9
	○ 60 820	○ 60 710	○ 50 700		
○ other CRI>90	○ other CRI>90	○ other CRI>80	CRI>90	CRI>95	

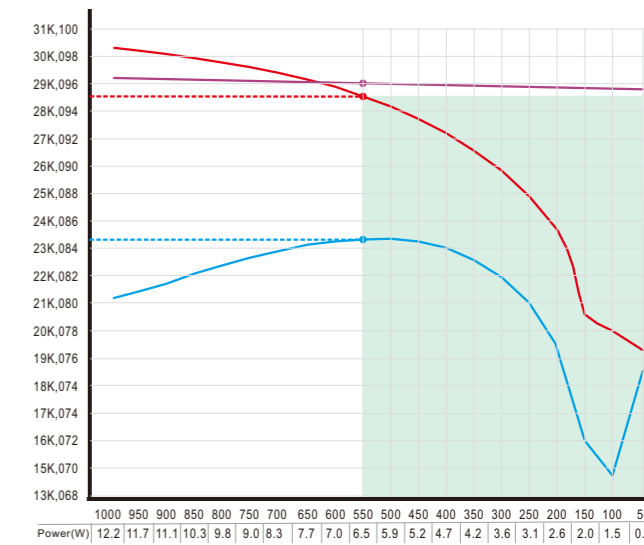


CCT/Parameters		BESUN DF0775S				BESUN DF0775E				CREE DF0775S		CITIZEN DF0775S	
2700K	Angle(°)	19.6°	38.5°	55.5°	107.2°	20°	38.7°	54.7°	109°	16.3°	35.9°	16.3°	36.5°
	RA	>90	>90	>90	>90	>90	>90	>90	>90	>80	>80	>90	>90
	LM	606	593	691	570	531	509	586	494	635	628	574	570
	UGR	19.7	20.9	22	35.3	19.6	21.2	23	35.3	17.8	19.6	19.7	19.7
3000K	Angle(°)	19.5°	38.8°	54.9°	107.2°	19.1°	38.5°	55.5°	107.6°	16.4°	36.1°	16.2°	36.4°
	RA	>90	>90	>90	>90	>90	>90	>90	>90	>80	>80	>90	>90
	LM	642	639	736	600	556	547	631	516	647	643	609	598
	UGR	19.8	21.1	21.6	35.2	19.9	21.2	22.1	35.1	18.2	19.7	18.2	19.9
4000K	Angle(°)	19.8°	38.8°	55.2°	107.5°	20.1°	38.5°	55.2°	107.8°	16.4°	36.1°	16.4°	36.2°
	RA	>90	>90	>90	>90	>90	>90	>90	>90	>80	>80	>90	>90
	LM	694	684	792	651	621	606	706	571	698	675	663	650
	UGR	19.6	21.2	22.4	35.4	19.3	22	22.4	35.2	17.9	18.2	18.2	20.1
5000K	Angle(°)	19.6°	38.8°	55.6°	108.8°	19.7°	38.8°	55.6°	108.5°	-	-	-	-
	RA	>90	>90	>90	>90	>90	>90	>90	>90	-	-	-	-
	LM	696	691	798	652	614	601	708	575	-	-	-	-
	UGR	19.4	21.0	21.9	35.4	19.7	21.1	21.9	36.7	-	-	-	-
6000K	Angle(°)	19.6°	38.8°	55.5°	109.2°	19.3°	38.5°	55.5°	109°	-	-	-	-
	RA	>90	>90	>90	>90	>90	>90	>90	>90	-	-	-	-
	LM	716	708	819	683	611	595	693	579	-	-	-	-
	UGR	20.1	21.4	22.1	33.5	19.7	21.3	22.1	34.8	-	-	-	-

Triac dimmer compatibility

Brand	Item No.	Item No.	picture
CLIPSAL	32E450UDM	220-240VAC 50Hz MAX:450W	
CLIPSAL	32E450ULM	220-240VAC 50Hz MAX:450W	
JUNG	225NV DE	220-240VAC 50Hz MAX:20-500W	
GIRA	226200/I01	220-240VAC 50Hz MAX:20-500W	
BERKER	2873	220-240VAC 50Hz MAX:20-500W	

2000K-3000K dimmable downlight graph(LED)



— CRI — CCT — light efficiency — DF0775S CCT dim range
 31K, 100=3100K, CRI 100 and 100LM/W
 1000=1000LM 950=950LM 900=900LM.....

12W COB LED DOWNLIGHT



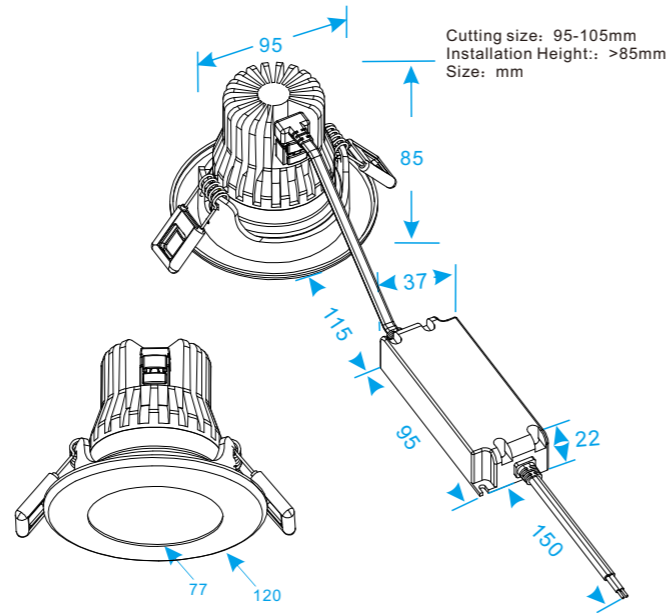
DF1295S

NETWEIGHT 0.48 Kg	CUTTINGSIZE 95-105mm	PACKING 12.5x12.5x12.5CM 1 pc	PACKING 51.5x39.0x39.5CM 36 pcs
-----------------------------	--------------------------------	---	---



DF1295S is a perfect replacement of our D1095, except the same cutting size "95mm", all of the other data and performances are superior than old model.

- **Support almost all the famous light source;** Perfectly compatible with the same light fixture, same size, but different light source.
- **Completely free solder assembling;** Replace any accessories perfectly without Soldering Tools
- **Perfect secondary optical design;** Beautiful light spot for wide/medium/small beam angle.
- **Physically waterproof and dustproof;** The highest IP rating reaches IP33
- **Greatly enhance the cold lumens;** 131lm/W under CRI>90 & 3000K.
- **Non-flicker Driver;** Support Triac dim; 1-10V dim; Dali dim; Wifi dim, etc.
- **5 years warranty**



Application: DF series downlights are widely used as indoor main illumination lighting in household, hotel, restaurant, shopping mall, bar, KTV, cabinet, office, meeting room, library, museum, exhibition etc...

● Standard ○ Optional — Unsupported "E" Economy type "S" Standard type

LED	BESUN	BESUN	CREE	CITIZEN	SHARP
Brand	● B20151204(S)	● B20151204(E)	● CXA1512	● 026-1204C4	GW6NGWJCSOC
PCB	ceramic	ceramic	ceramic	aluminum	ceramic
CRI	● 90 R9>50 ○ other	● 90 R9>50 ○ other	● 80 R9>0 ○ 90 R9>50	● 90 R9>50 ○ other	● 95 R9>90
Power(W)	12	12	12.6	12	0.5-12
Voltage(V)	35V	35V	36V	35V	35V
Features	131lm/w	114lm/w	CREE	117lm/w	CCT Dimmable
CCT;LM/W 27=2700K 35=3500K	CCT LM/W	CCT LM/W	CCT LM/W	CCT LM/W	CCT LM/W W
	● 27 116	○ 27 112	● 27 123	● 27 115	● 20 69 1.5w
	● 30 131	● 30 114	● 30 134	● 30 117	● 25 80 3.3w
	● 40 136	● 40 124	○ 35 134	○ 35 117	● 27 84 4.9w
	○ 50 142	○ 50 126	● 40 134	● 40 139	● 30 80 12w
	○ 60 140	○ 60 122	○ 50 134		
○ other CRI>90	○ other CRI>90	○ other CRI>80	CRI>90	CRI>95	

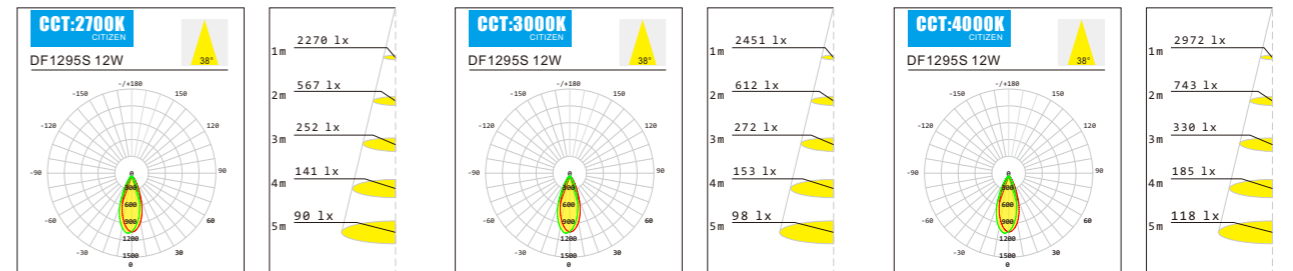
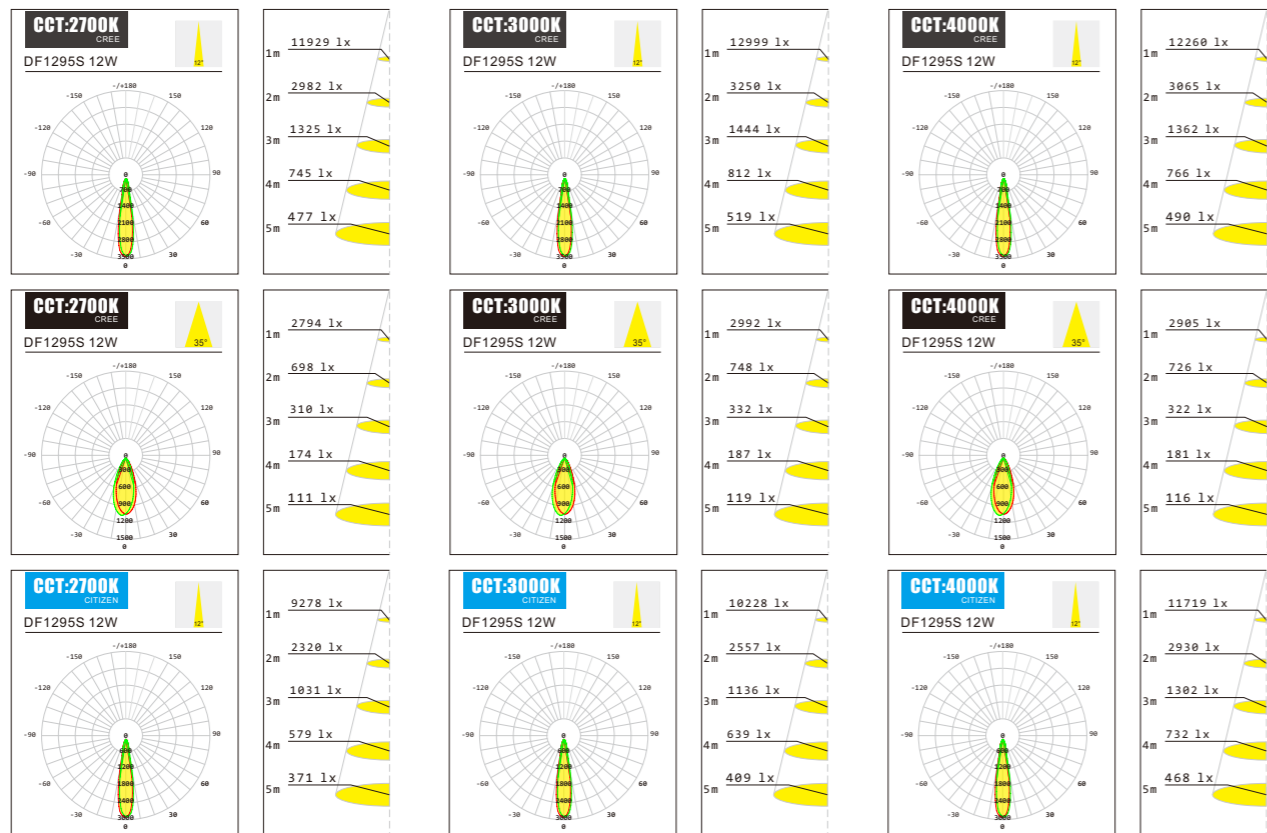
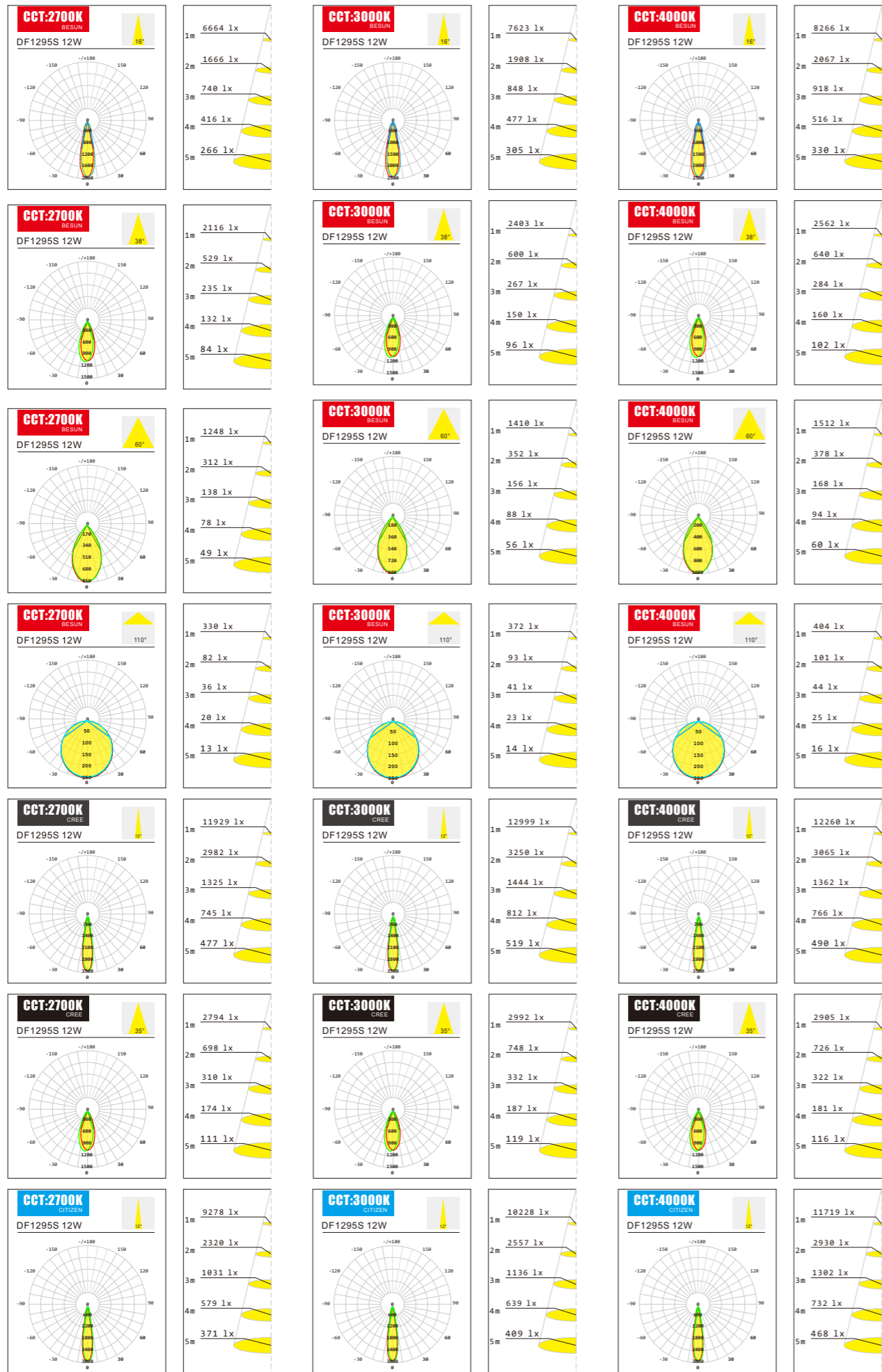
LED chip quantity	12*4	12*4	12*3	12*4	12*2
Certificates	L-80	-	L-80	L-80	L-80
Current Rating(mA)	350				
SDCM	<4				

● Standard ○ Optional — Unsupported "E" Economy type "S" Standard type

Driver	NO-DIM	DIM	Dali/Push-Dim	1-10V/Push-Dim	WiFi (intelligent)
Brand	● Lifud(S) ● 200-240VAC GIR015YS ○ 100-277VAC GIR020Yk	● Eaglerise(S) ● 200-240VAC ELP012C0350LSD1	● Easeic ● 100-240VAC LND118	● Easeic ● 100-240VAC LNA118	● LTECH ● 12-48VDC WiFi104R R4-5A R4-CC T1 T2 T2M T3 T3M
	○ Lifud(E) ○ 200-240VAC GIR013YS0350H	○ Eaglerise(E) ○ 200-240VAC EIP012C0350LSD1L			
DC Output	27-42V/350mA	27-35V/350mA	27-42V/350mA	27-42V/350mA	12-48V 1-1400mA
PF/PE	GIR015YS 0.95/85% GIR020YK 0.95/85% GIR013YS0 350H 0.45/82%	ELP012C0350 LSD1 0.95/80% EIP012C0350 LSD1L 0.95/80%	0.9/80%	0.9/80%	/
Flickering	GIR015YS NO GIR020YK yes GIR013YS0 350H NO	ELP012C0350 LSD1 NO EIP012C0350 LSD1L yes	yes	yes	/
Certificates	GIR015YS(A)	ELP012C0350LSD1	LND118	LNA118	/
	CE CB GS RCM SAA CCC	CE SAA			
	GIR020YK				
	CE CB GS	EIP012C0350LSD1L	CE CUL SAA	CE CUL SAA	CE ROHS FCC
	GIR013YS0350H	TUV CE			
CE TUV					

● Standard ○ Optional — Unsupported "E" Economy type "S" Standard type

Lamp	BESUN	BESUN	CREE	CITIZEN	SHARP
Item No.	DF1295S	DF1295E	DF1295S	DF1295S	DF1295S
Warranty	5 years	3 years	5 years	5 years	5 years
System Consumption(W)	14	14	14.5	14	1-14
Beam Angle	16°/38°/60°/110°	16°/38°/60°/110°	12°/38°	12°/38°	38°
UGR	14-33	14-33	13-16	13-16	12-15
Soldering technology	Free soldering	Free soldering	Free soldering	Free soldering	—
Certificates	CE RoHS FCC V0 ERP LM-79	CE RoHS FCC V0	CE RoHS FCC V0 ERP LM-79	CE RoHS FCC V0 ERP LM-79	CE RoHS FCC V0 ERP LM-79
Working environment	-40°-55°				
IP grade	● IP33 ○ IP54				
Color of Housing	● W OS OB OV				
optical data	.IES/.CIE/.CEN/.Tm14/.CIB/.LDT				
System lm/w 30=3000K 35=3500K	CCT LM 60°	CCT LM 60°	CCT LM 38°	CCT LM 38°	CCT LM W
	● 27 1060	○ 27 1020	● 27 1170	● 27 980	● 20 80 1.8
	● 30 1190	● 30 1050	● 30 1240	● 30 1060	● 25 200 4
	● 40 1300	● 40 1160	○ 35 1240	○ 35 1060	● 27 460 6
	○ 50 1280	○ 50 1160	● 40 1240	● 40 1260	● 30 800 13.5
	○ 60 1270	○ 60 1120	○ 50 1250		
○ other CRI>90	○ other CRI>90	○ other CRI>80	CRI>90	CRI>95	

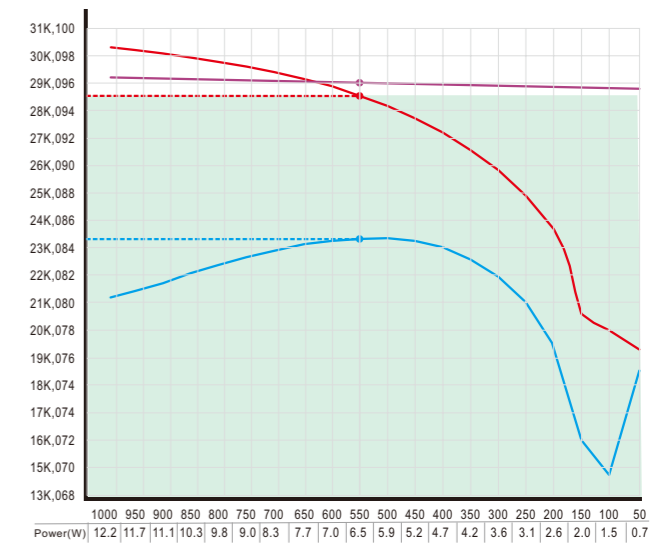


CCT/Parameters		BESUN DF1295S				BESUN DF1295E				CREE DF1295S		CITIZEN DF1295S	
2700K	Angle(°)	17.2°	38.6°	60.1°	108.2°	16.4°	37.9°	59.9°	108.1°	13.3°	35.5°	13.2°	36.1°
	RA	>90	>90	>90	>90	>90	>90	>90	>90	>80	>80	>90	>90
	LM	1008	1009	1069	901	965	949	1019	861	1175	1170	948	979
	UGR	14.2	16.6	20.6	33.3	14.6	16.3	20.5	32.4	13.3	16	13.2	15.4
3000K	Angle(°)	17.1°	38.3°	59.9°	108.1°	16.5°	37.8°	59.3°	108.1°	13.2°	35.3°	13.6°	36.3°
	RA	>90	>90	>90	>90	>90	>90	>90	>90	>80	>80	>90	>90
	LM	1133	1130	1168	982	1012	985	1055	890	1270	1244	1074	1060
	UGR	14	16.3	22.3	34.3	14.7	16.3	20.8	32.5	13.1	15.1	12.9	15.2
4000K	Angle(°)	17.1°	38.3°	60.1°	108.2°	16.7°	37.9°	59.5°	108.2°	13.6°	35.7°	14°	35.9°
	RA	>90	>90	>90	>90	>90	>90	>90	>90	>80	>80	>90	>90
	LM	1232	1211	1300	1012	1104	1086	1166	986	1244	1225	1285	1258
	UGR	14.2	16.4	20.9	33.1	14.2	16.3	20.8	33.2	12.9	15.3	13.2	15.6
5000K	Angle(°)	17.7°	40.1°	59.7°	108.3°	16.7°	38°	59.7°	108.3°	-	-	-	-
	RA	>90	>90	>90	>90	>90	>90	>90	>90	-	-	-	-
	LM	1219	1175	1251	1065	1130	1103	1164	973	-	-	-	-
	UGR	14.5	19.6	23	34.5	14.4	16.4	20.4	33.2	-	-	-	-
6000K	Angle(°)	17.3°	38.5°	60.5°	108.2°	17°	38.4°	60.4°	108.4°	-	-	-	-
	RA	>90	>90	>90	>90	>90	>90	>90	>90	-	-	-	-
	LM	1227	1193	1273	1064	1088	1059	1118	936	-	-	-	-
	UGR	17.2	16.5	20.1	32.6	14.1	16.4	20.4	33.1	-	-	-	-

Triac dimmer compatibility

Brand	Item No.	picture
CLIPSAL	32E450UDM 220-240VAC 50Hz MAX:450W	
CLIPSAL	32E450ULM 220-240VAC 50Hz MAX:450W	
JUNG	225NV DE 220-240VAC 50Hz MAX:20-500W	
GIRA	226200/I01 220-240VAC 50Hz MAX:20-500W	
BERKER	2873 220-240VAC 50Hz MAX:20-500W	

2000K-3000K dimmable downlight graph(LED)



— CRI — CCT — light efficiency — DF1295S CCT dim range
 31K, 100=3100K, CRI 100 and 100LM/W
 1000=1000LM 950=950LM 900=900LM.....