

# TG SERIES 12-80W LED TRACK LIGHT



TG series track light is the super anti-glare lighting with variety of shapes, but the photoelectric parameter will be in common as long as same power. It can meet demands of almost all lighting designs. And the UGR can be under 10.

---Patent Design!



**Compatible with most brands of track system**  
NORLUX, STAFF, NORDIC, GLOBAL, NUCO, EUTRAC, IVELA, etc.

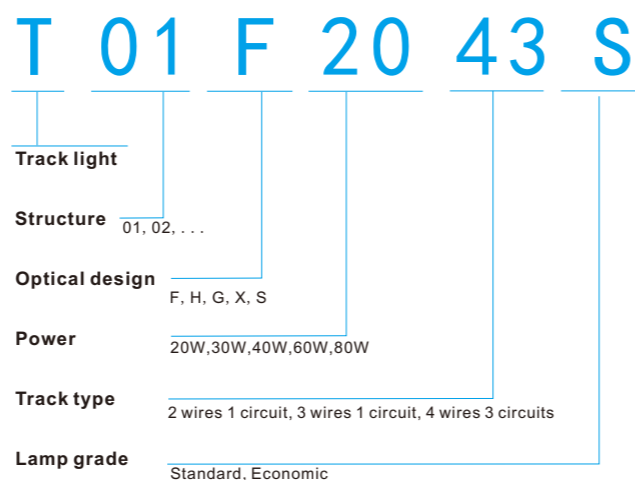
**Support almost all the famous Light source and Driver**  
Perfectly compatible with the same light fixture, same size with different light source and driver

**Completely free solder assembling**  
Replace any accessories perfectly without any damages, no need soldering tools

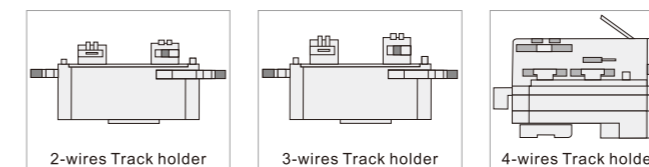
**Perfect secondary optical design for accent lighting**

**High CRI, High lumens, Low decay LED (L-80)**  
Basic characteristic: 150lm/w under CRI>90 & 3000K

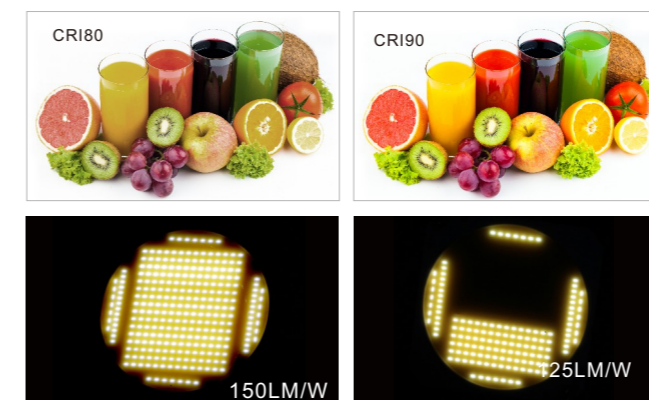
**Flicker free driver & 5 years warranty for whole lamp**  
Support Triac dim, 1-10V dim, DALI dim, DMX dim, 2.4 G dim, warm dim, etc.



Available track holder: 2 wires 1 circuit, 3 wires 1 circuit and 4 wires 3 circuits.



Self-design BESUN COB LED with Epistar chip, ceramic PCB and pure gold thread, which has features of high light efficiency, high CRI, high stability, low light decay, low SDCM, etc. The most representative feature of BESUN COB LED: 150lm/W under CRI>90, R9>50 & 3000K, and the highest CRI can be CRI>97. Also, even if half of the chips don't work, just less than 20% reduction in luminous efficiency.



Support Triac dim, 1-10V dim, Dali dim, DMX dim, 2.4G dim, Perfectly compatible with almost all famous light source & driver: Philips, CREE, CITIZEN, Tridonic, Osram, Lifud, Eaglerise, Meanwell, etc.



Power 7-12W can be CCT adjustable from 2000K to 2800K by Triac dimmable. Lower CCT, low power & lumen will be lower relatively. And 2800K will be with highest luminous flux output.

Power 20-50W can be CCT adjustable from 2700K to 5700K, but power keep the same, and the brightness depends on current CCT only.

**Application:**  
Widely used as indoor main illumination lighting in hotel, restaurant, library, museum, exhibition, High-end clubs, etc.



## T03G SERIES

Track holder integrated with driver. Available types with 3 wires and 4 wires that can work with various brands of track system.



3-wires Track holder

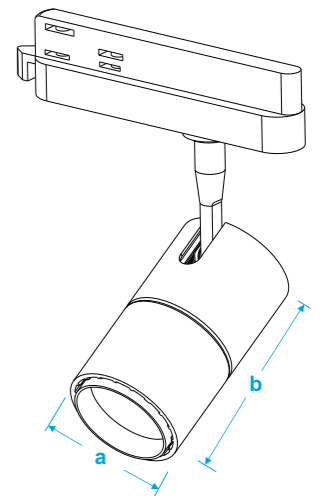


4-wires Track holder

<b>12W,20W Size (mm)</b>
a=73,b=129
<b>30W Size (mm)</b>
a=94,b=153

**CCT: 2700K, 3000K,4000K,5000K,6000K;**  
**CRI: CRI>90,R9>50/CRI>97,R9>95** **UGR<10**

Item No.	T03G1243S T03G1231S	T03G2043S T03G2031S	T03G3043S T03G3031S
<b>Power(W)</b>	12W total 13W	20W total 22W	30W total 32W
<b>Illumination</b>	600-800lm	900-1400lm	1600-2000lm
<b>Beam angle</b>	15°	15°	15°
<b>N. W.</b>	0.6kg	0.6kg	1.0kg
<b>Packing</b>	61*27*41CM 6pcs	61*27*41CM 6pcs	73*30*50CM 6pcs
<b>Input voltage</b>	AC100-277V or AC200-240V		



LED TRACK LIGHT 76