

TG SERIES 12-80W LED TRACK LIGHT



TG series track light is the super anti-glare lighting with variety of shapes, but the photoelectric parameter will be in common as long as same power. It can meet demands of almost all lighting designs. And the UGR can be under 10.

---Patent Design!



Compatible with most brands of track system
NORLUX, STAFF, NORDIC, GLOBAL, NUCO, EUTRAC, IVELA, etc.

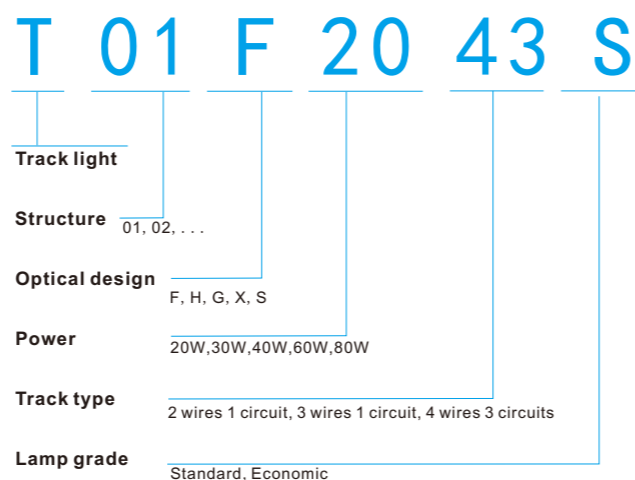
Support almost all the famous Light source and Driver
Perfectly compatible with the same light fixture, same size with different light source and driver

Completely free solder assembling
Replace any accessories perfectly without any damages, no need soldering tools

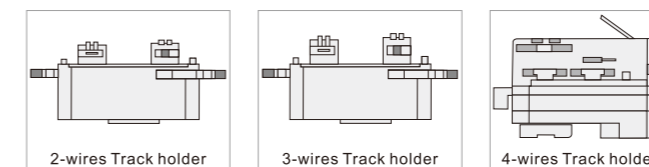
Perfect secondary optical design for accent lighting

High CRI, High lumens, Low decay LED (L-80)
Basic characteristic: 150lm/w under CRI>90 & 3000K

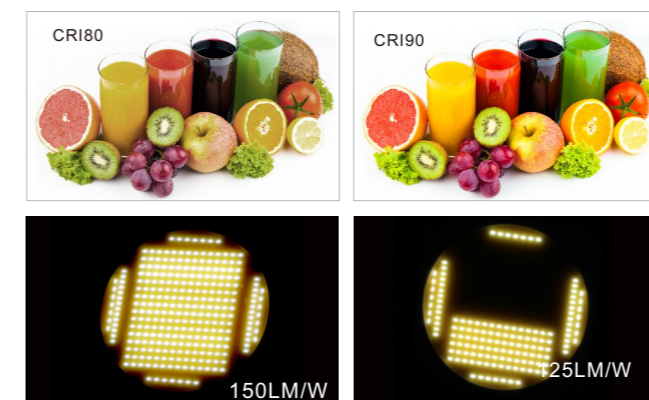
Flicker free driver & 5 years warranty for whole lamp
Support Triac dim, 1-10V dim, DALI dim, DMX dim, 2.4 G dim, warm dim, etc.



Available track holder: 2 wires 1 circuit, 3 wires 1 circuit and 4 wires 3 circuits.



Self-design BESUN COB LED with Epistar chip, ceramic PCB and pure gold thread, which has features of high light efficiency, high CRI, high stability, low light decay, low SDCM, etc. The most representative feature of BESUN COB LED: 150lm/W under CRI>90, R9>50 & 3000K, and the highest CRI can be CRI>97. Also, even if half of the chips don't work, just less than 20% reduction in luminous efficiency.



Support Triac dim, 1-10V dim, Dali dim, DMX dim, 2.4G dim, Perfectly compatible with almost all famous light source & driver: Philips, CREE, CITIZEN, Tridonic, Osram, Lifud, Eaglerise, Meanwell, etc.



Power 7-12W can be CCT adjustable from 2000K to 2800K by Triac dimmable. Lower CCT, low power & lumen will be lower relatively. And 2800K will be with highest luminous flux output.

Power 20-50W can be CCT adjustable from 2700K to 5700K, but power keep the same, and the brightness depends on current CCT only.

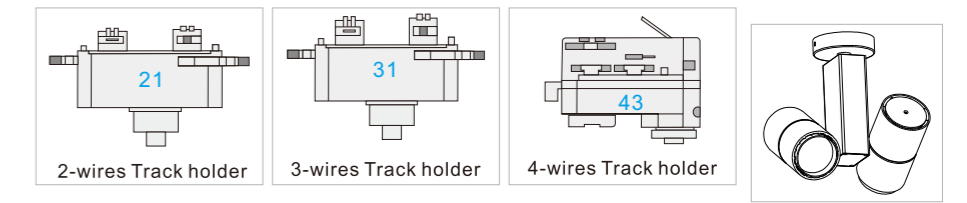
Application:
Widely used as indoor main illumination lighting in hotel, restaurant, library, museum, exhibition, High-end clubs, etc.



T02G SERIES

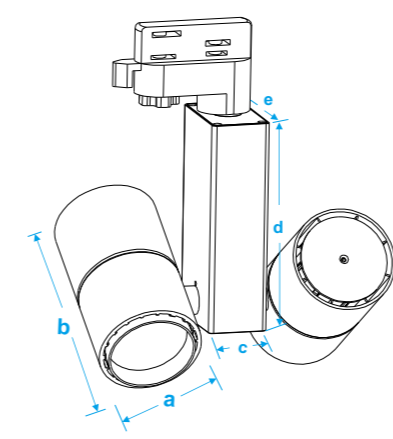
Optional mounting ways: Track mounted (2 wires 1 circuit, 3 wires 1 circuit and 4 wires 3 circuits) & Ceiling surface mounted.

40W Size (mm)	
a=φ73, b=129	c=42, d=160, e=71
60W, 80W Size (mm)	
a=φ94, b=153	c=50, d=150, e=95



CCT: 2700K, 3000K, 4000K, 5000K, 6000K;
CRI: CRI>90, R9>50/CRI>97, R9>95

UGR<10



Item No.	T02G4043S T02G40(21/31)S	T02G6043S T02G60(21/31)S	T02G8043S T02G80(21/31)S
Power(W)	40W total 42W	60W total 64W	80W total 84W
Illumination	1800-2800lm	3200-4000lm	4000-4800lm
Beam angle	15°	15°	15°
N. W.	1.2kg	2.3kg	2.3kg
Packing	61*27*41CM 6pcs	73*30*50CM 6pcs	73*30*50CM 6pcs
Input voltage	AC100-277V or AC200-240V		