

# TF SERIES 12-80W LED TRACK LIGHT



TF series track light has variety of shapes, but photoelectric parameter will be in common as long as same power. It can meet demands of almost all lighting designs.

---Patent Design!

**Compatible with most brands of track system**  
NORLUX, STAFF, NORDIC, GLOBAL, NUCO, EUTRAC, IVELA, etc.

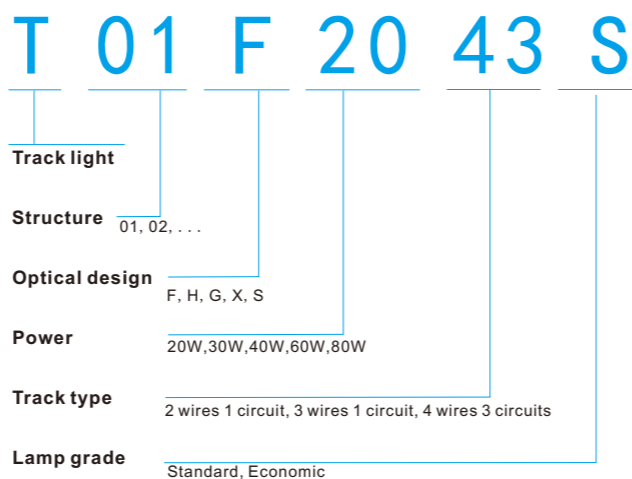
**Support almost all the famous Light source and Driver**  
Perfectly compatible with the same light fixture, same size with different light source and driver

**Completely free solder assembling**  
Replace any accessories perfectly without any damages, no need soldering tools

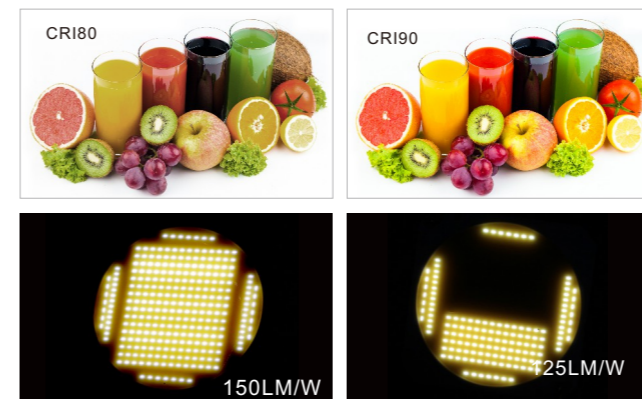
**Perfect secondary optical design for accent lighting**  
Optional beam angle: 8 - 110 deg.

**High CRI, High lumens, Low decay LED (L-80)**  
Basic characteristic: 150lm/w under CRI>90 & 3000K

**Flicker free driver & 5 years warranty for whole lamp**  
Support Triac dim, 1-10V dim, DALI dim, DMX dim, 2.4 G dim, warm dim, etc.

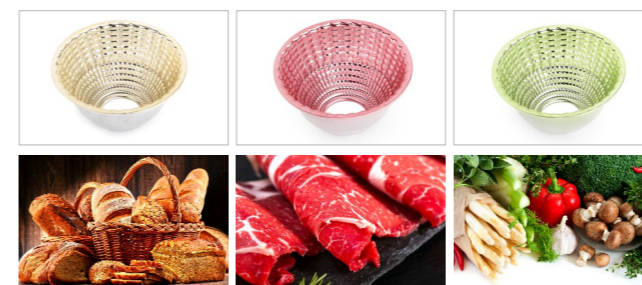


Self-design BESUN COB LED with Epistar chip, ceramic PCB and pure gold thread, which has features of high light efficiency, high CRI, high stability, low light decay, low SDCM, etc. The most representative feature of BESUN COB LED: 150lm/W under CRI>90, R9>50 & 3000K, and the highest CRI can be CRI>97. Also, even if half of the chips don't work, just less than 20% reduction in luminous efficiency.

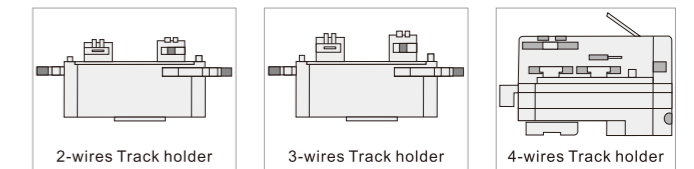


**Support lighting for food like meat, vegetables and bread, making the food more charming.**

The specialized LED+Reflector of lamps for food display can highlight the freshness of food with the most appropriate lighting color, so that the food color under our lighting is closer to or even better than the real color itself. For example, baked food looks more crispy with the golden brown light, and meat looks more bright red with the pink light.



**Available track holder: 2 wires 1 circuit, 3 wires 1 circuit and 4 wires 3 circuits.**



**Support Triac dim, 1-10V dim, Dali dim, DMX dim, 2.4G dim, Perfectly compatible with almost all famous light source & driver: Philips, CREE, CITIZEN, Tridonic, Osram, Lifud, Eaglerise, Meanwell, etc.**

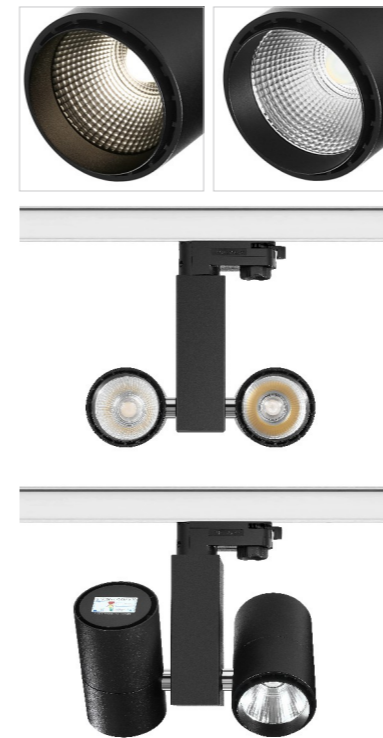
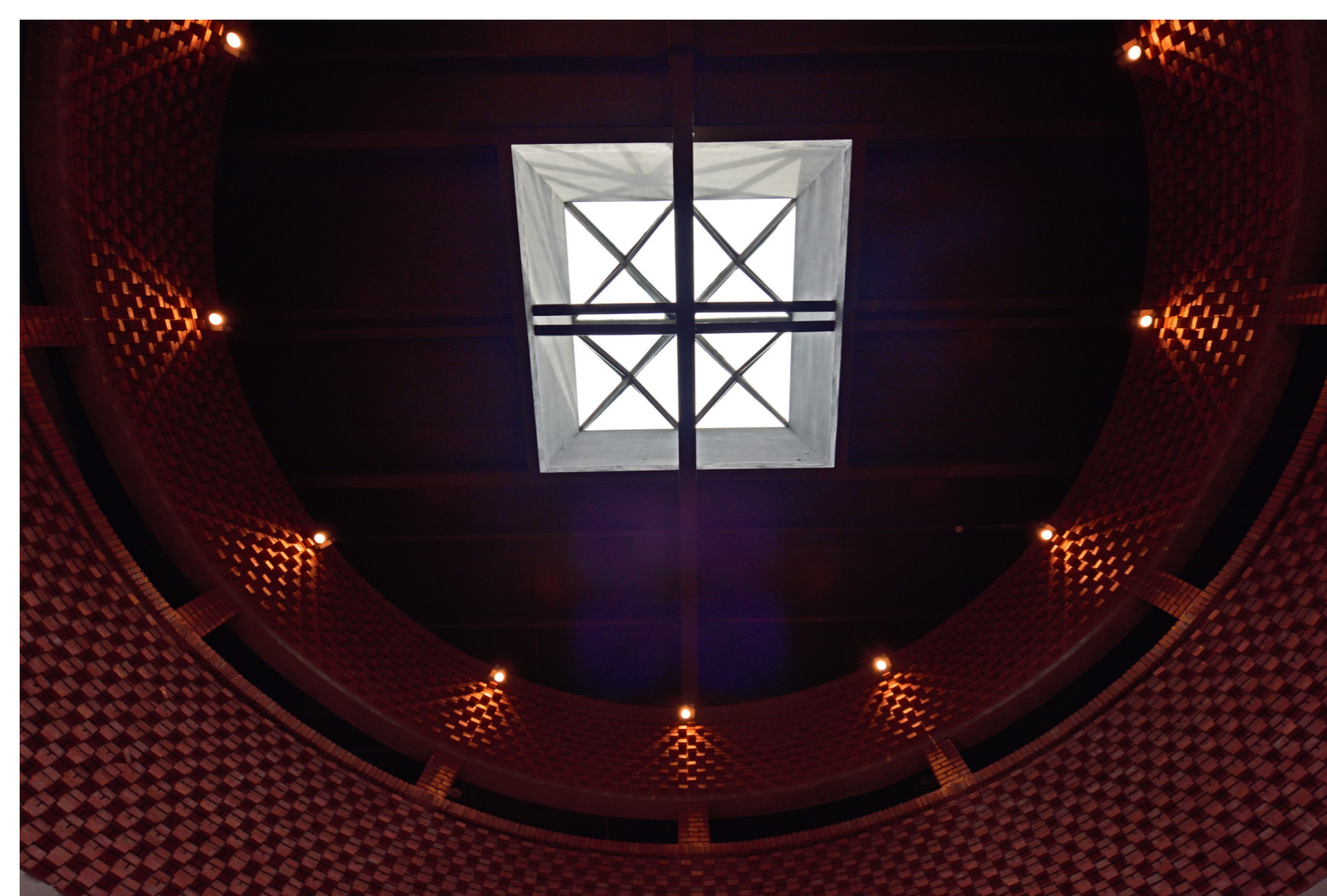


**Power 7-12W can be CCT adjustable from 2000K to 2800K by Triac dimmable. Lower CCT, low power & lumen will be lower relatively. And 2800K will be with highest luminous flux output.**

**Power 20-50W can be CCT adjustable from 2700K to 5700K, but power keep the same, and the brightness depends on current CCT only.**

**Application:**  
Widely used as indoor main illumination lighting in household, hotel, restaurant, shopping mall, bar, KTV, cabinet, office meeting room, library, museum, exhibition, etc. Please refer to TH, TG, TS, TX series track light if have lower UGR required.





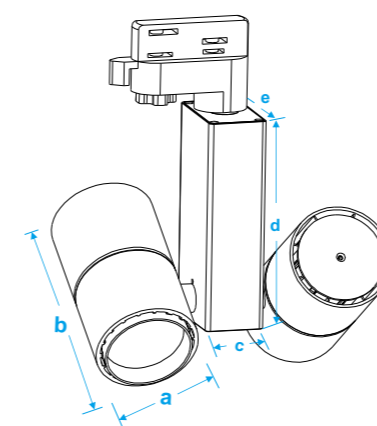
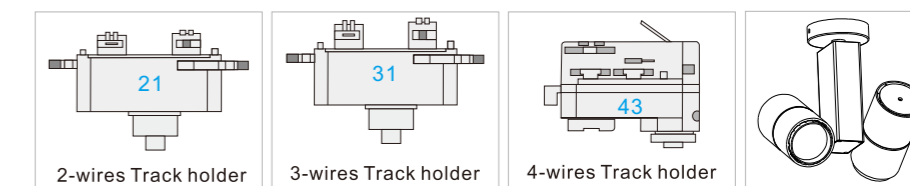
Two different reflectors are available for the double head light, so that it can meet different beam angle requirements in the same area. As the above picture shown, the left is 38° beam angle while the right one is 20°.



## T02F SERIES

Optional mounting ways: Track mounted (2 wires 1 circuit, 3 wires 1 circuit and 4 wires 3 circuits) & Ceiling surface mounted.

40W Size (mm)	
a=φ73,b=124	c=42,d=160,e=71
60W ,80W Size (mm)	
a=φ94,b=148	c=50,d=150,e=95



CCT: 2700K, 3000K,4000K,5000K,6000K;  
CRI: CRI>90,R9>50/CRI>97,R9>95

UGR<22

Item No.	T02F4043S T02F40(21/31)S	T02F6043S T02F60(21/31)S	T02F8043S T02F80(21/31)S
Power(W)	40W total 42W	60W total 64W	80W total 84W
Illumination	3200-5000lm	5800-7200lm	7600-9000lm
Beam angle	20° 38° 50°	20° 38° 60°	20° 38° 60°
N. W.	1.2kg	2.3kg	2.3kg
Packing	61*27*41CM 6pcs	73*30*50CM 6pcs	73*30*50CM 6pcs
Input voltage	AC100-277V or AC200-240V		