

SGC SERIES

12-40W LED DOWNLIGHT



SGC series is a rotatable surface mounted downlight with no glare. It is different from the other common lamps to be anti-glare by changing the shielding angle. The lowest UGR < 10.

-- Patent Design!

Rotatable angle of illumination

The maximum rotation angle is 30 degrees, Rotation lifespan is more than 200 times, UGR<10

Support almost all the famous Light source and Driver

Perfectly compatible with the same light fixture, same size with different light source and different driver

Completely free solder assembling

Replace any accessories perfectly without any damages, no need soldering tools

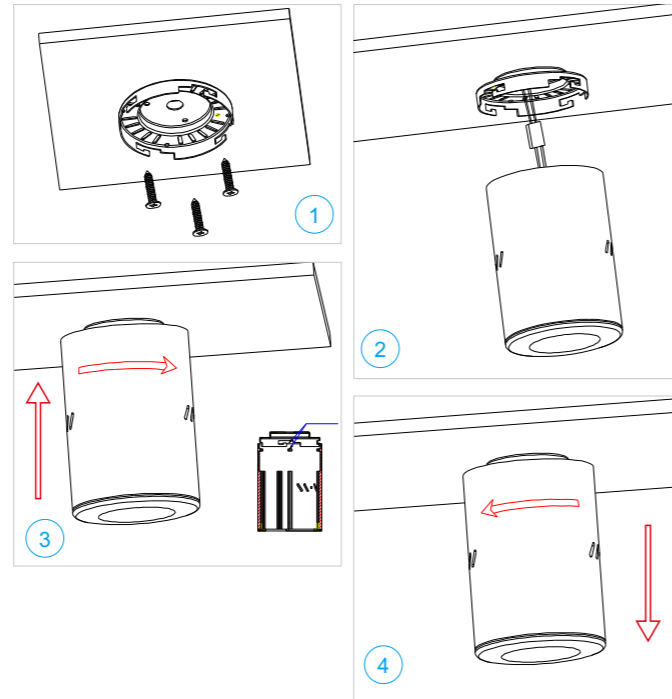
Narrow beam angle 15-20 deg, can be used for wall washing effect.

High CRI, High lumens, Low decay LED (L-80)

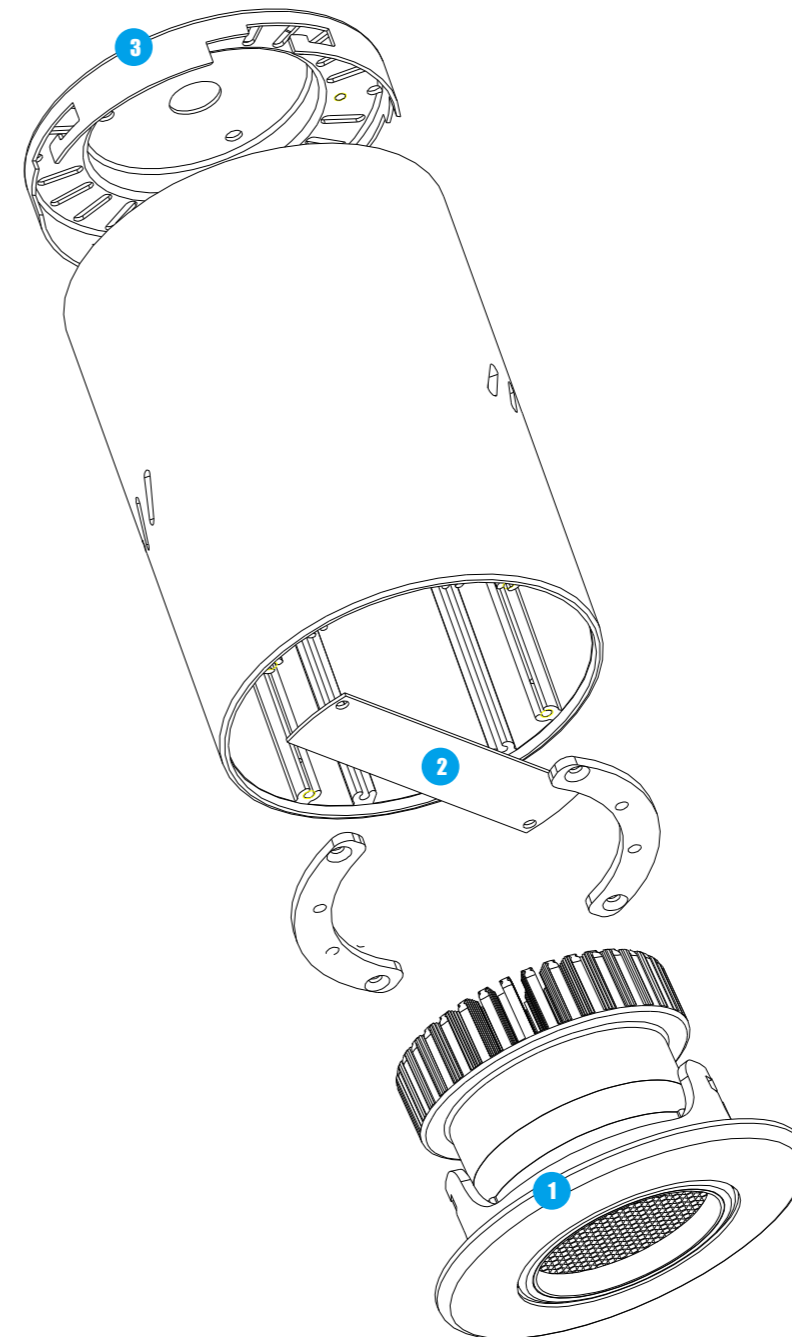
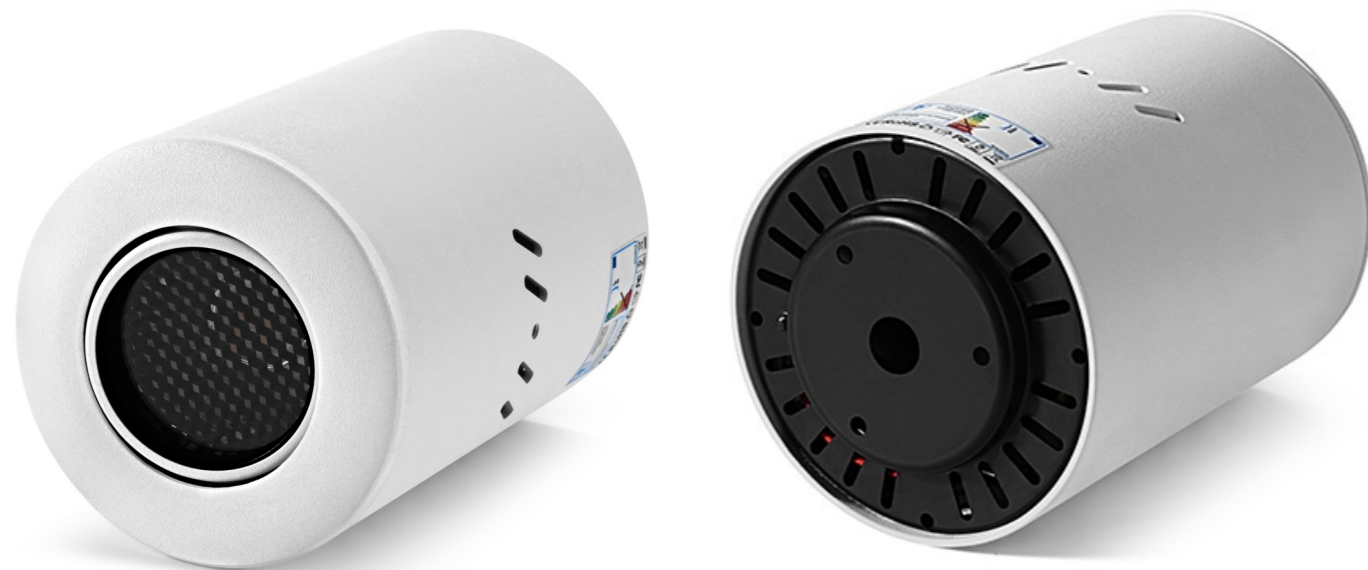
Basic characteristic: 150lm/w under CRI>90 & 3000K

Flicker free driver & 5 years warranty for whole lamp

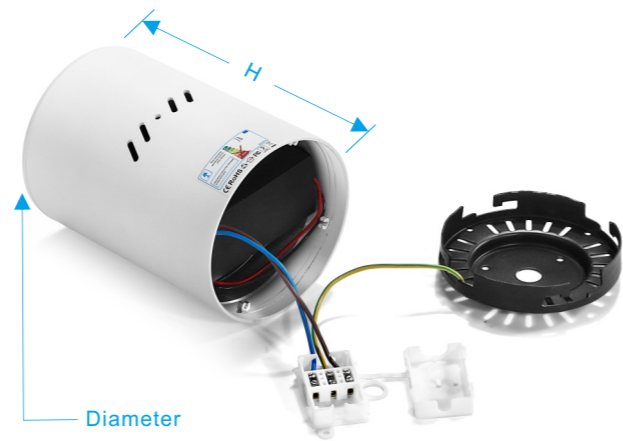
Support Triac dim, 1-10V dim, DALI dim, DMX dim, 2.4G dim, warm dim, etc.



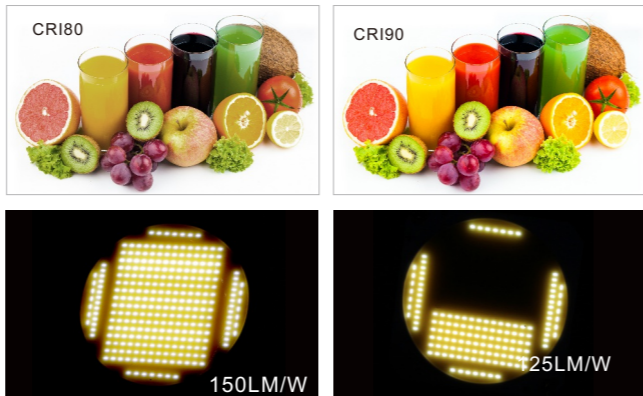
- 1 Thread cables through the top plate and fix the top plate on ceiling.
- 2 Connect the cables.
- 3 Align & push up the sleeve/lamp body to top plate correctly, and then rotate the sleeve clockwise to lock it with top plate.
- 4 Pull down and rotate the lamp anticlockwise to check if it is fixed well. Push up and rotate the lamp anticlockwise if wanna take down the lamp (Must push up first before rotation).



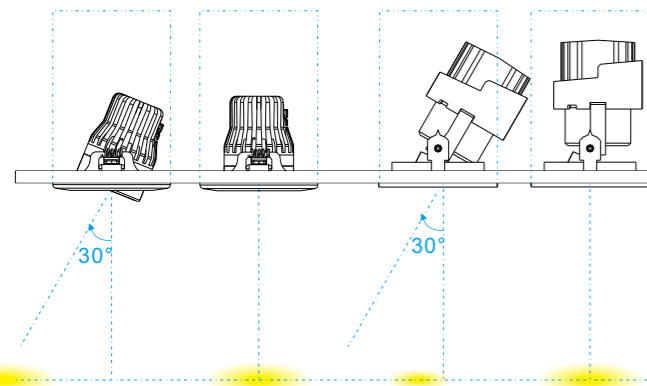
- 1 SGC series downlight, with maximum power 40W, has same photoelectric parameter as DGT series's. Please refer to page 21 for it.
- 2 Flicker free driver with 5 years warranty and almost all certificates. Other famous drivers are available.
- 3 Multifunctional top plate supports suspended mounting.



Self-design BESUN COB LED with Epistar chip, ceramic PCB and pure gold thread, which has features of high light efficiency, high CRI, high stability, low light decay, low SDCM, etc. The most representative feature of BESUN COB LED: 150lm/W under CRI>90, R9>50 & 3000K, and the highest CRI can be CRI>97. Also, even if half of the chips don't work, just less than 20% reduction in luminous efficiency.



Different from the other common anti-glare lamps. Mostly, the lamp is anti-glare by changing the shielding angle, but it can not change the direction of lighting. Ours are not only anti-glare but make the direction of lighting more flexible.



Support Triac dim, 1-10V dim, Dali dim, DMX dim, 2.4G dim, Perfectly compatible with almost all famous light source & driver: Philips, CREE, CITIZEN, Tridonic, Osram, Lifud, Eaglerise, Meanwell, etc.



Power 7-12W can be CCT adjustable from 2000K to 2800K by Triac dimmable. Lower CCT, low power & lumen will be lower relatively. And 2800K will be with highest luminous flux output.

Power 20-40W can be CCT adjustable from 2700K to 5700K, but power keep the same, and the brightness depends on current CCT only.

Application:
Widely used as indoor main illumination lighting in hotel, restaurant, library, museum, exhibition, High-end clubs, etc.



Remark: " H " means mounting height

Diameter	96mm	120mm	150mm	180mm
	SGC1296S Power:12W Size:96*H145	SGC20120S Power:20W Size:120*H160	SGC30150S Power:30W Size:150*H185	SGC40180S Power:40W Size:180*H210

CCT: 2700K,3000K,4000K,5000K,6000K;
CRI: CRI>90,R9>50/CRI>97,R9>95

UGR<10

Item No.	SGC1296S	SGC20120S	SGC30150S	SGC40180S
Power(W)	12W total 13W	20W total 22W	30W total 32W	40W total 42W
Size(mm)	96*H145	120*H160	150*H185	180*H210
Illumination	600-800lm	900-1400lm	1600-2000lm	2000-2400lm
Beam angle	20°	15°	20°	15°
N. W.	0.7kg	1.1kg	1.9kg	2.7kg
Packing	45*45*37CM 32pcs	53*40*41CM 24pcs	49*49*27CM 9pcs	39*39*51CM 8pcs
IP	IP33			
Input voltage	AC100-277V or AC200-240V			

CCT	Power	12W	20W	30W	40W
2700K	LM	650	900	1650	2000
3000K	LM	700	1100	1800	2200
4000K	LM	750	1300	1950	2300
5000K	LM	800	1450	2050	2400

3000K CRI>90

